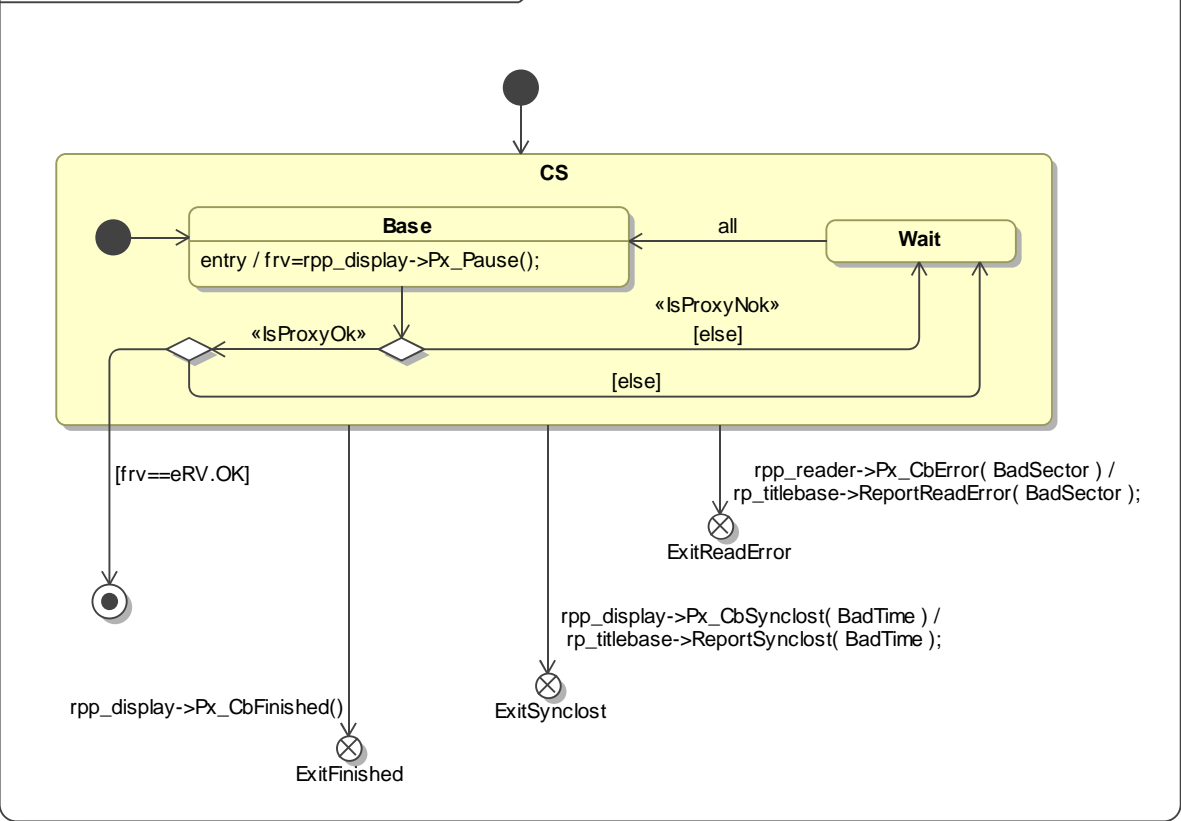
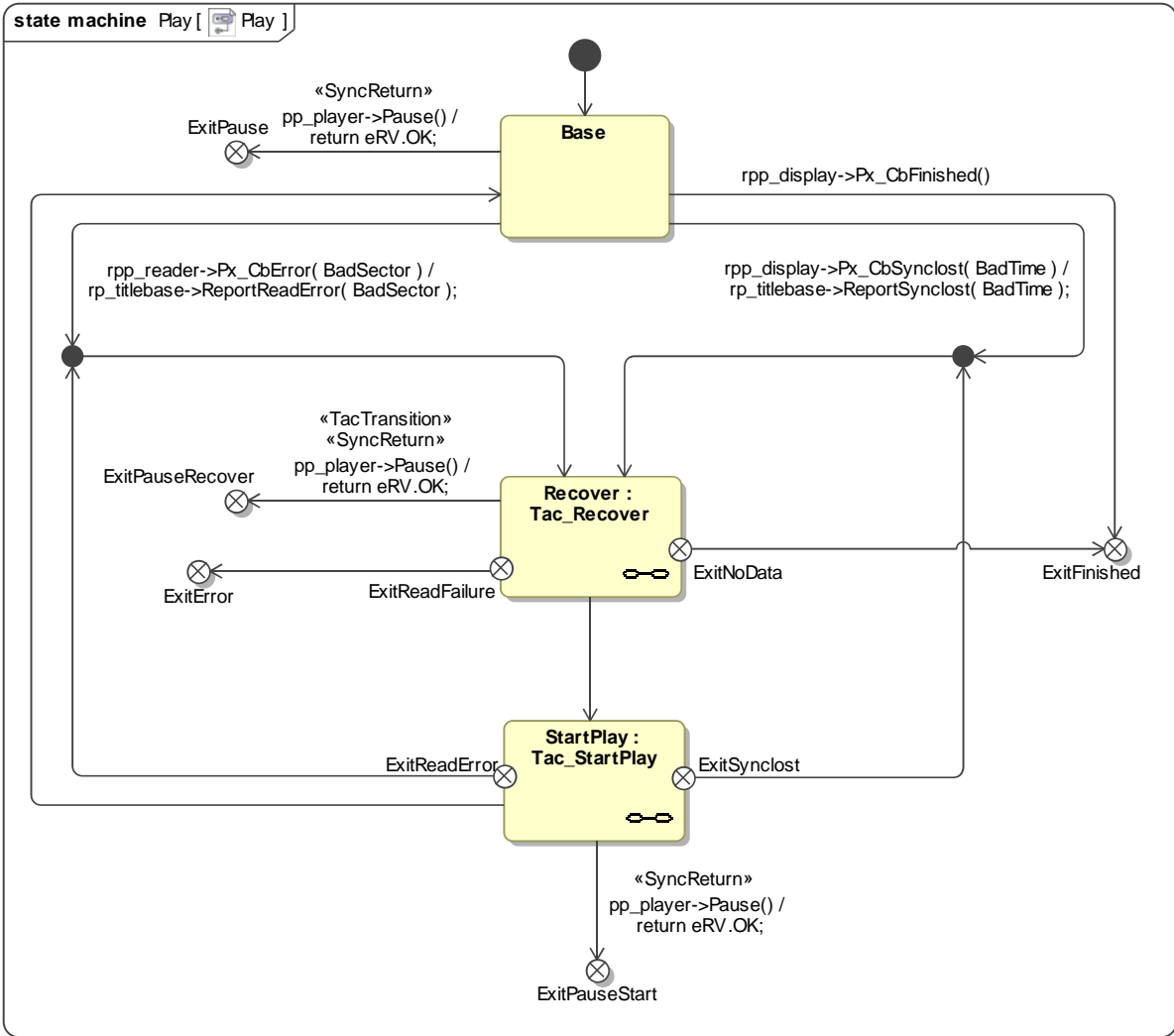
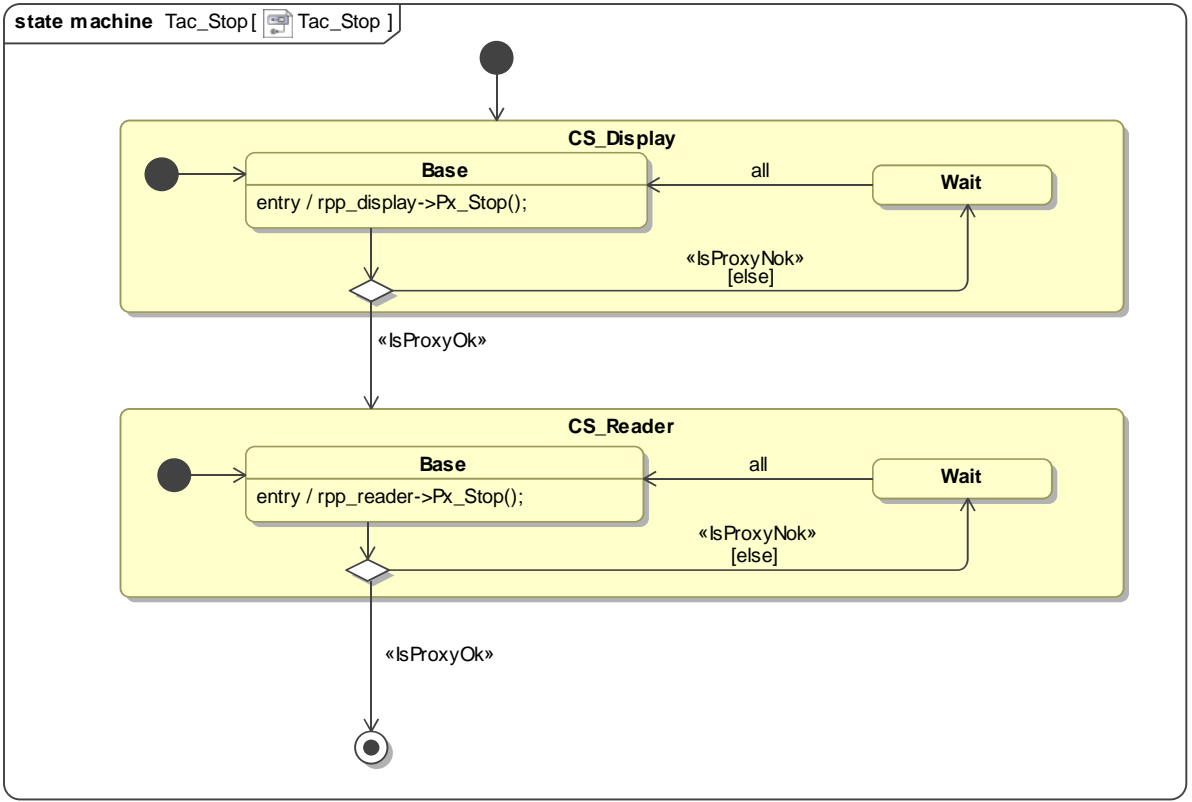
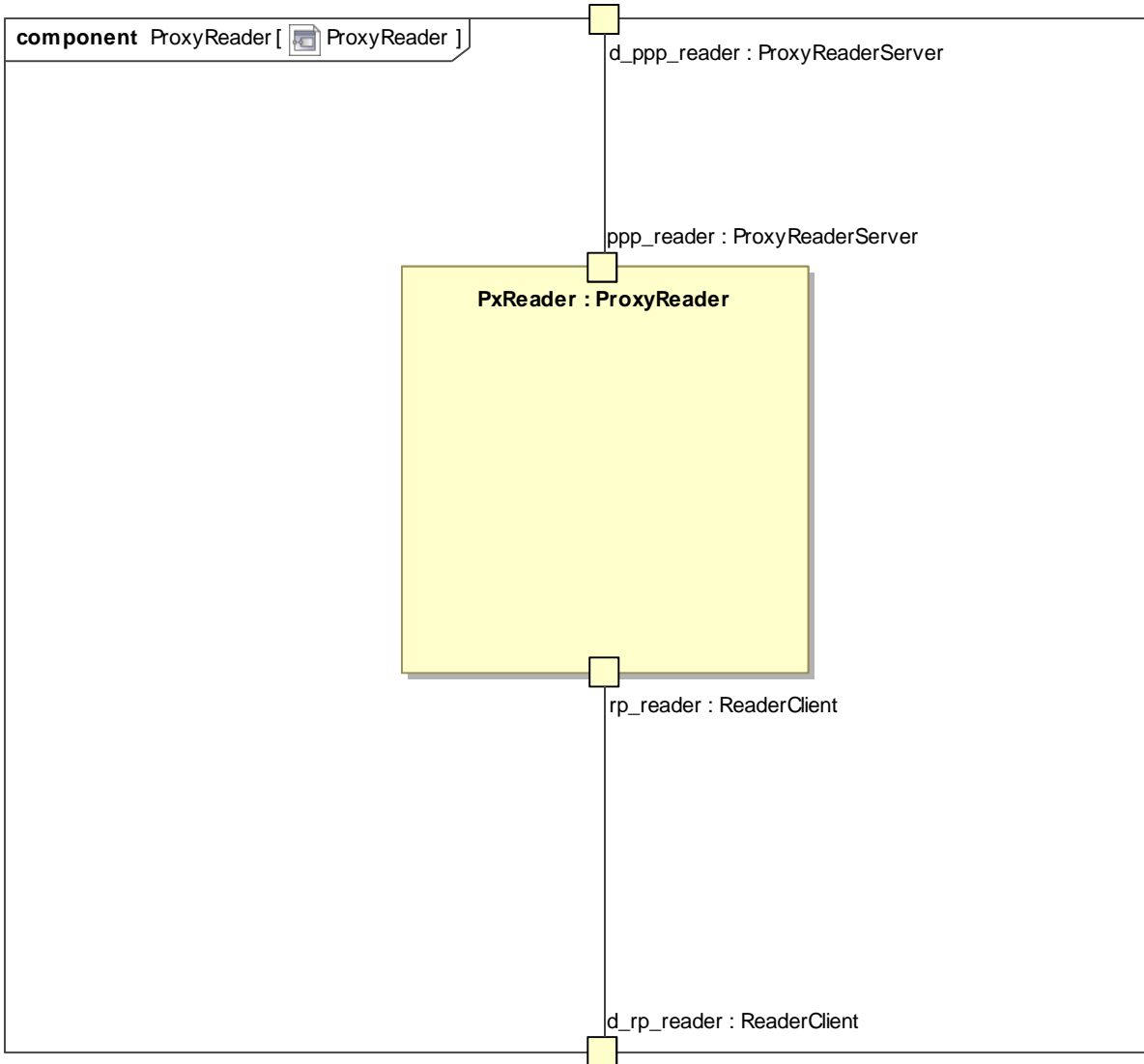


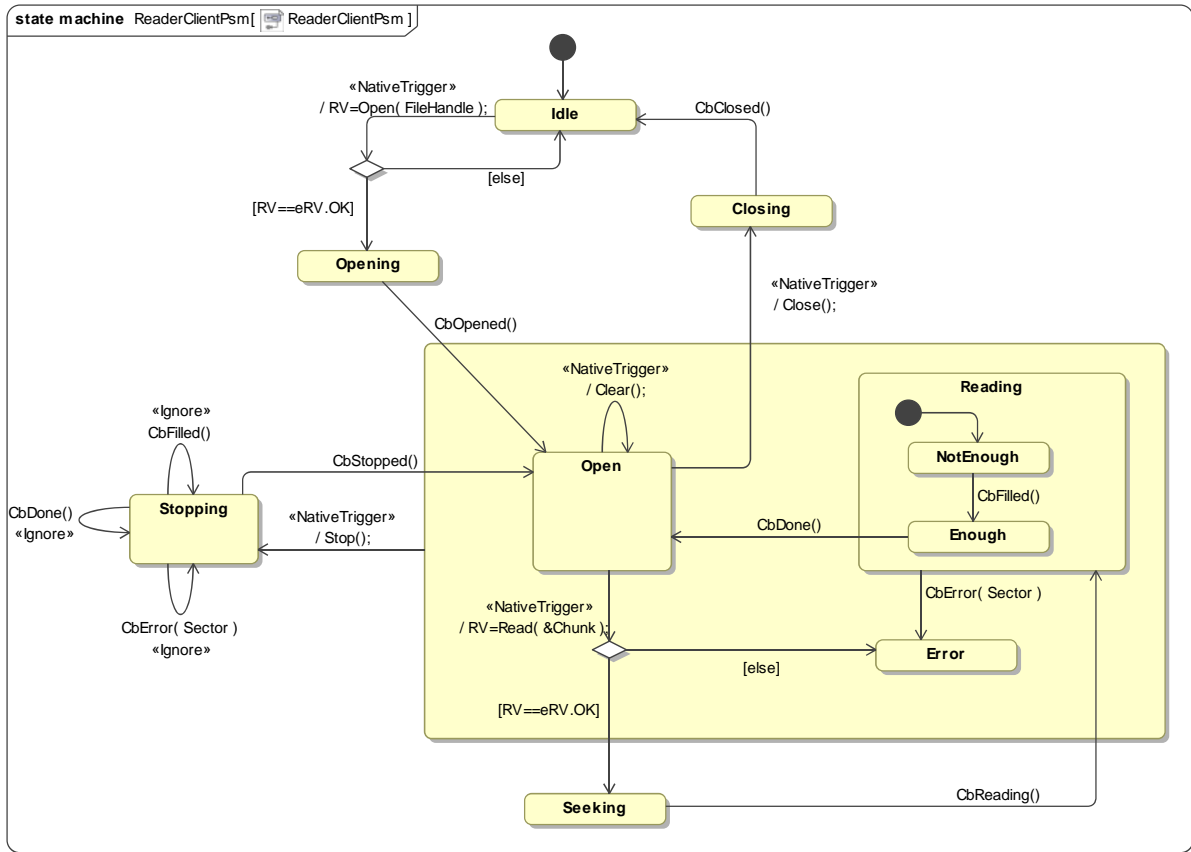
state machine Tac_StartPause [Tac_StartPause]

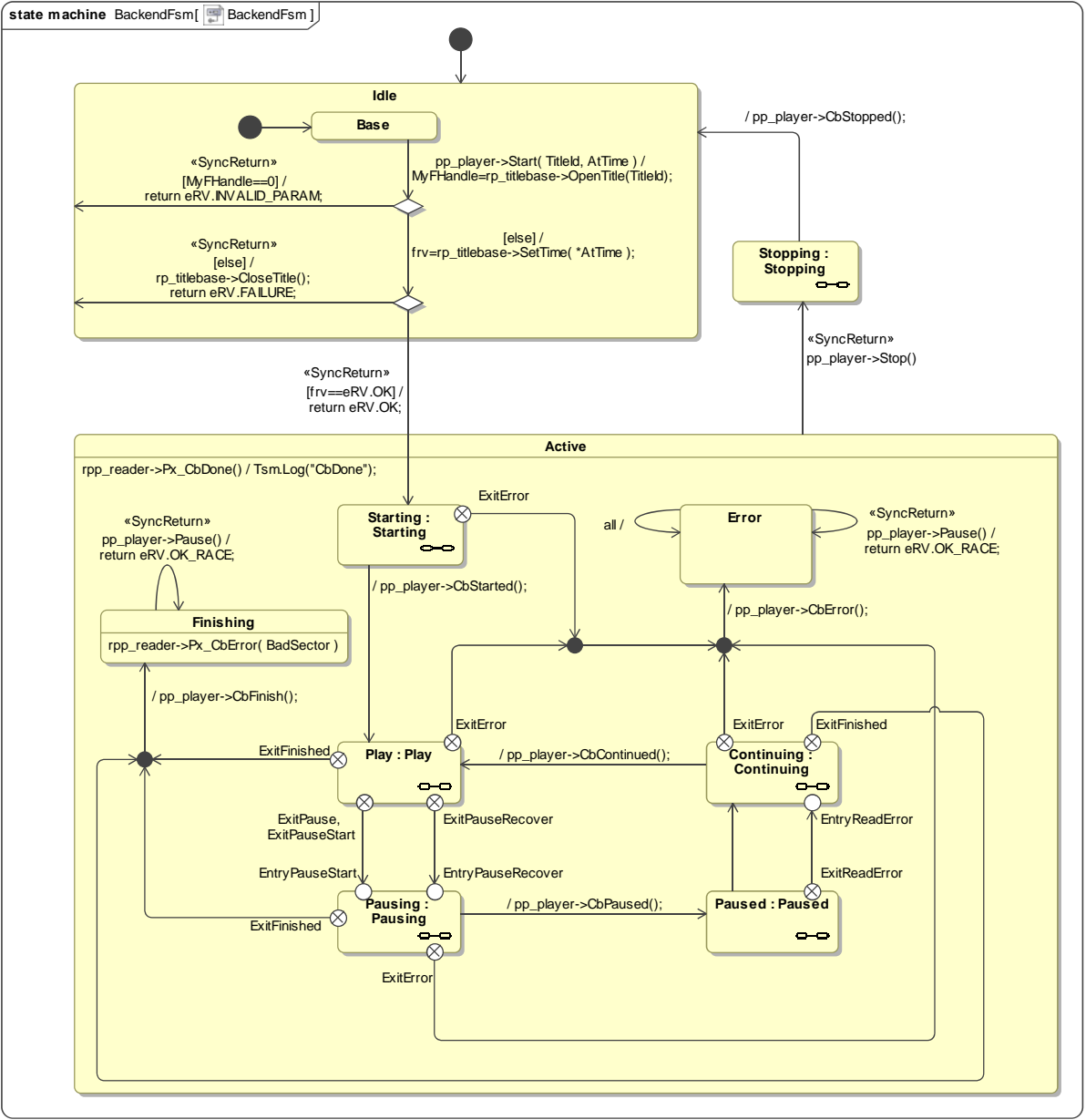


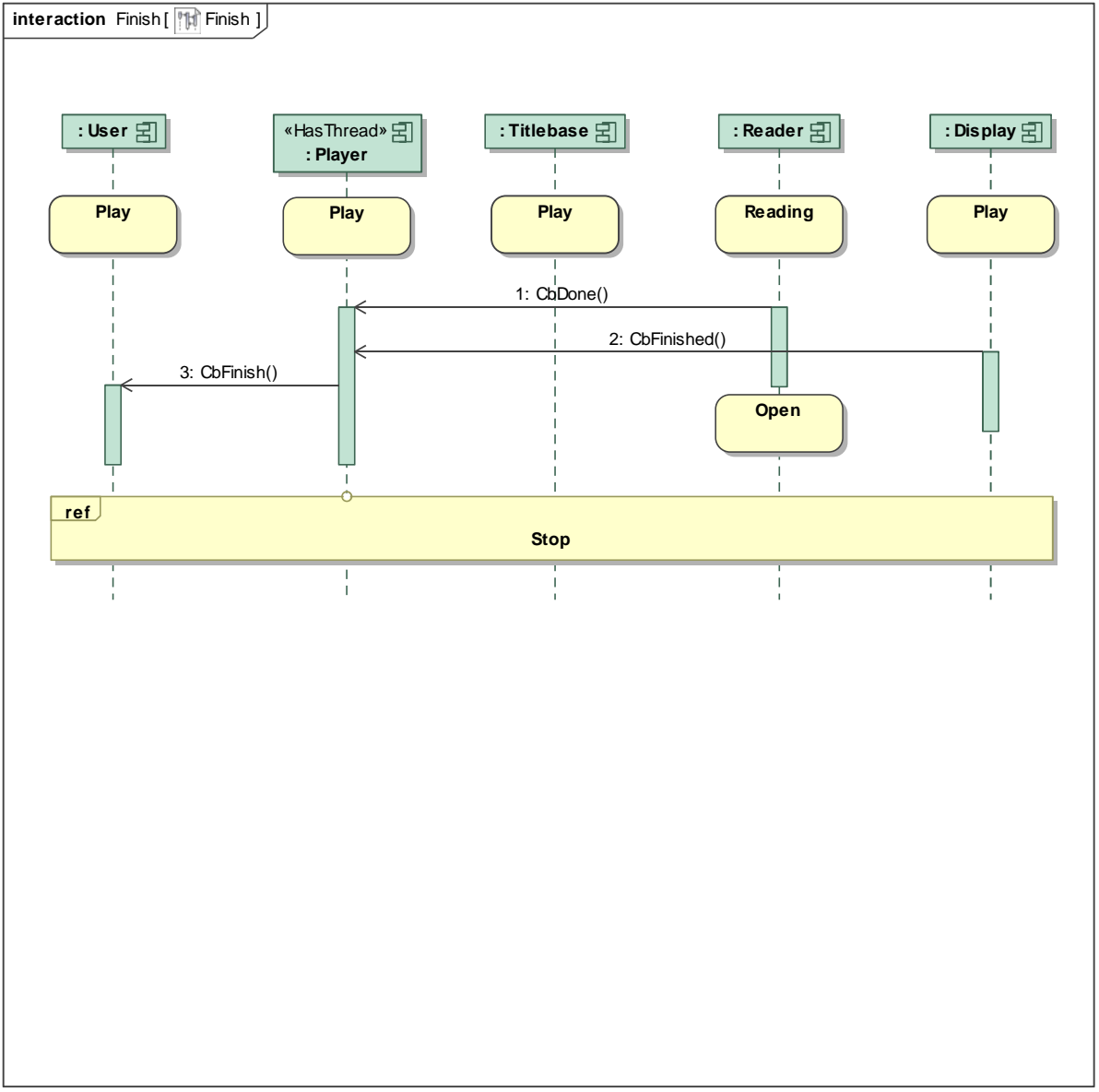


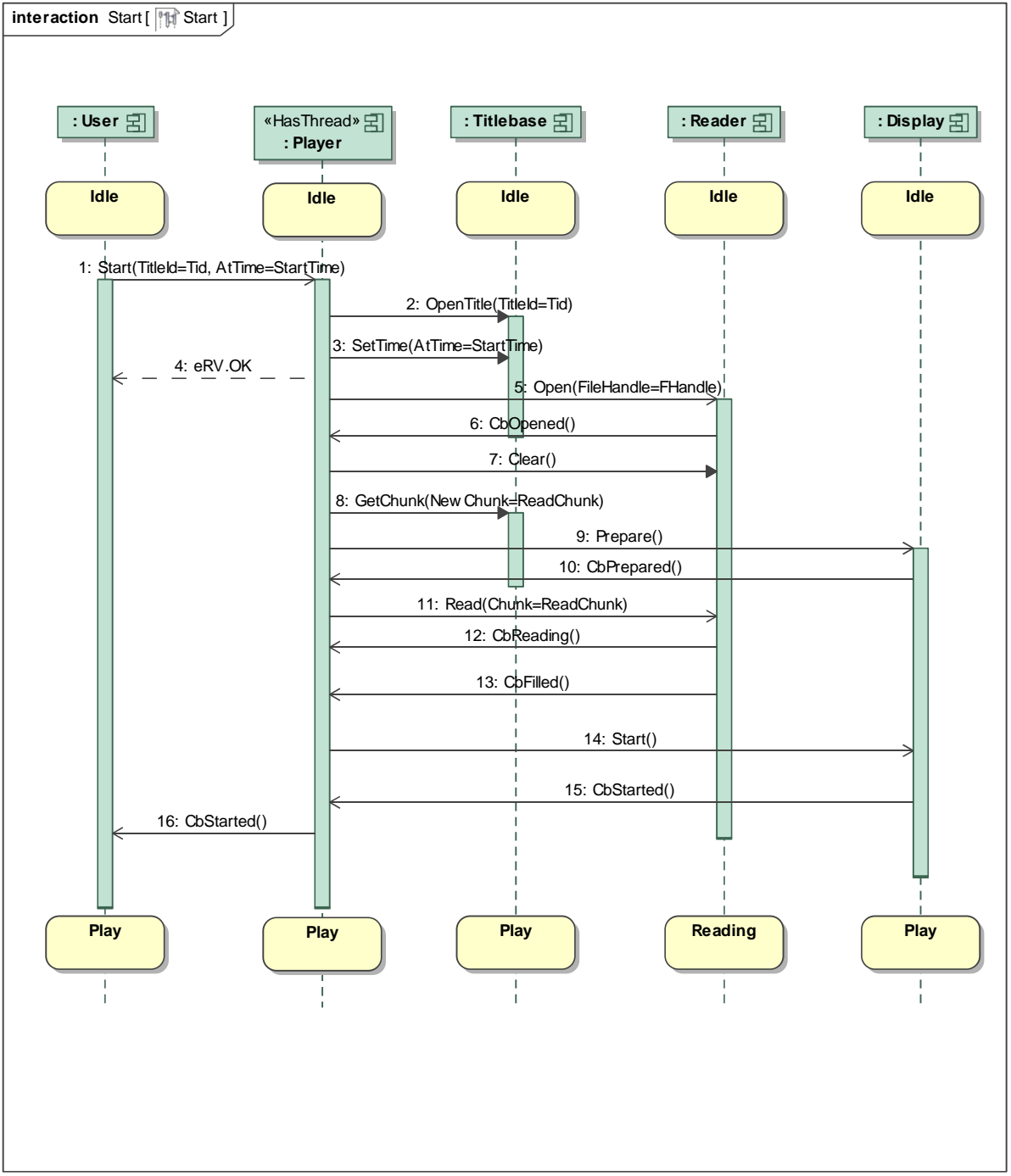


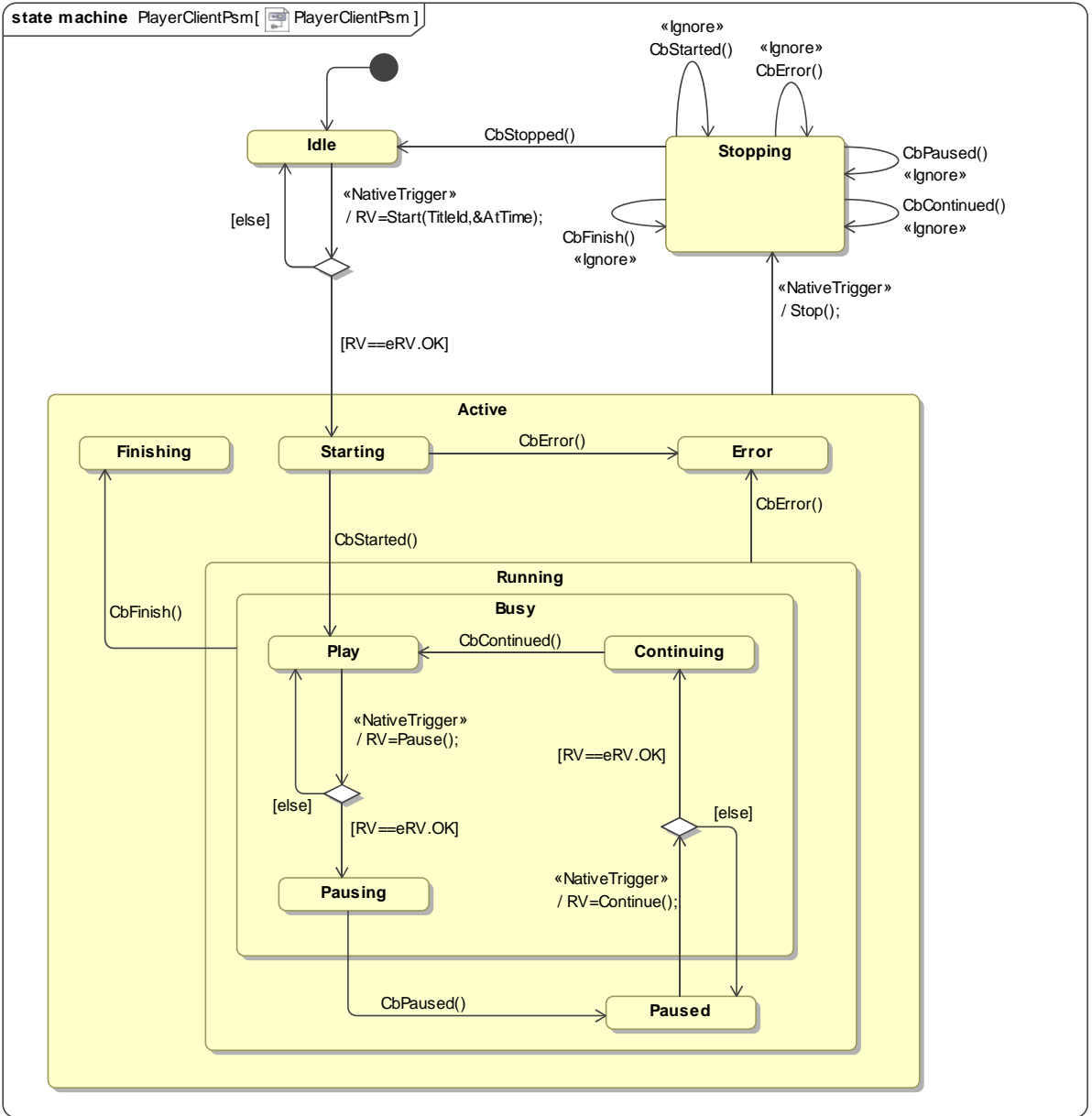


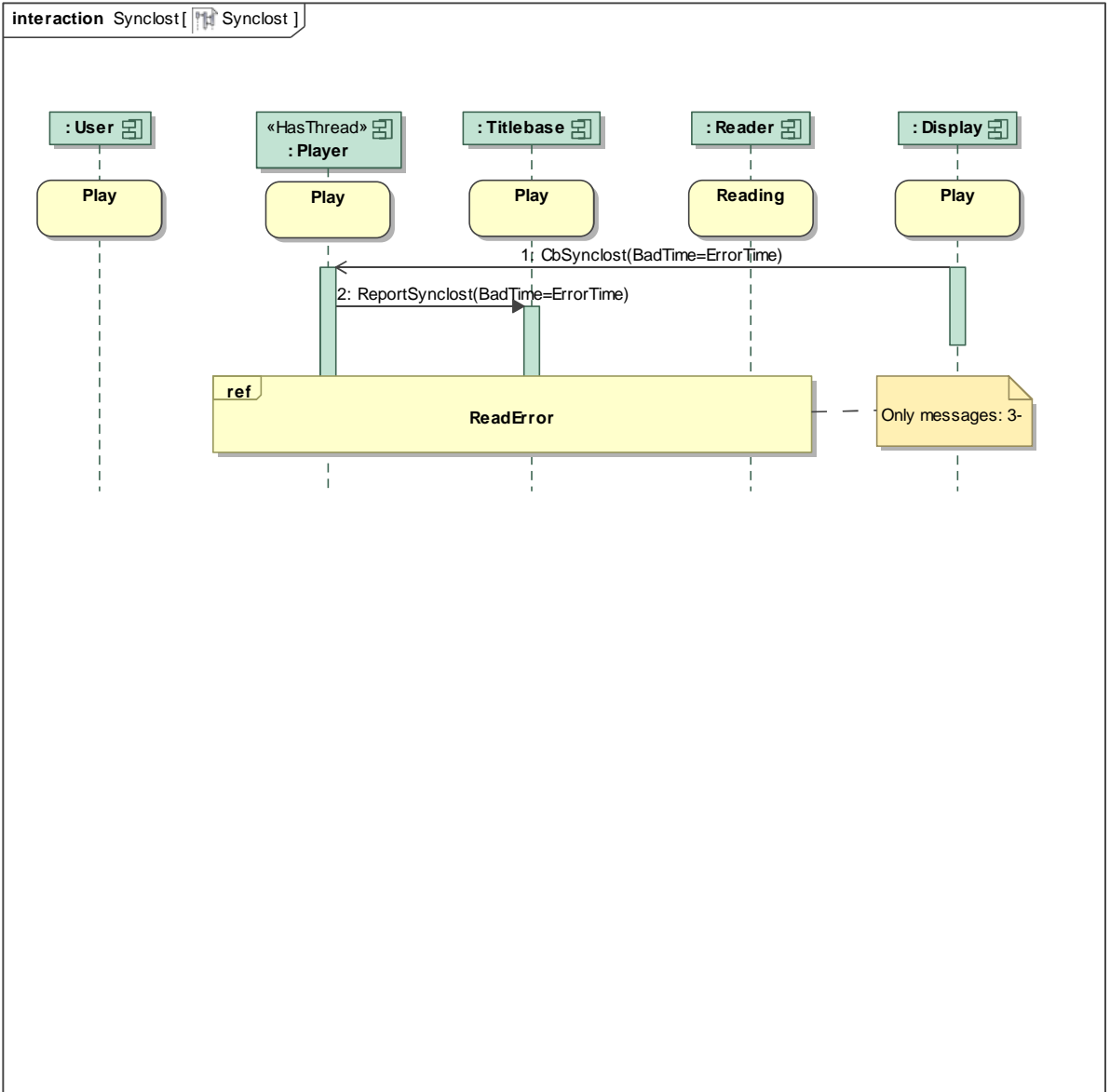


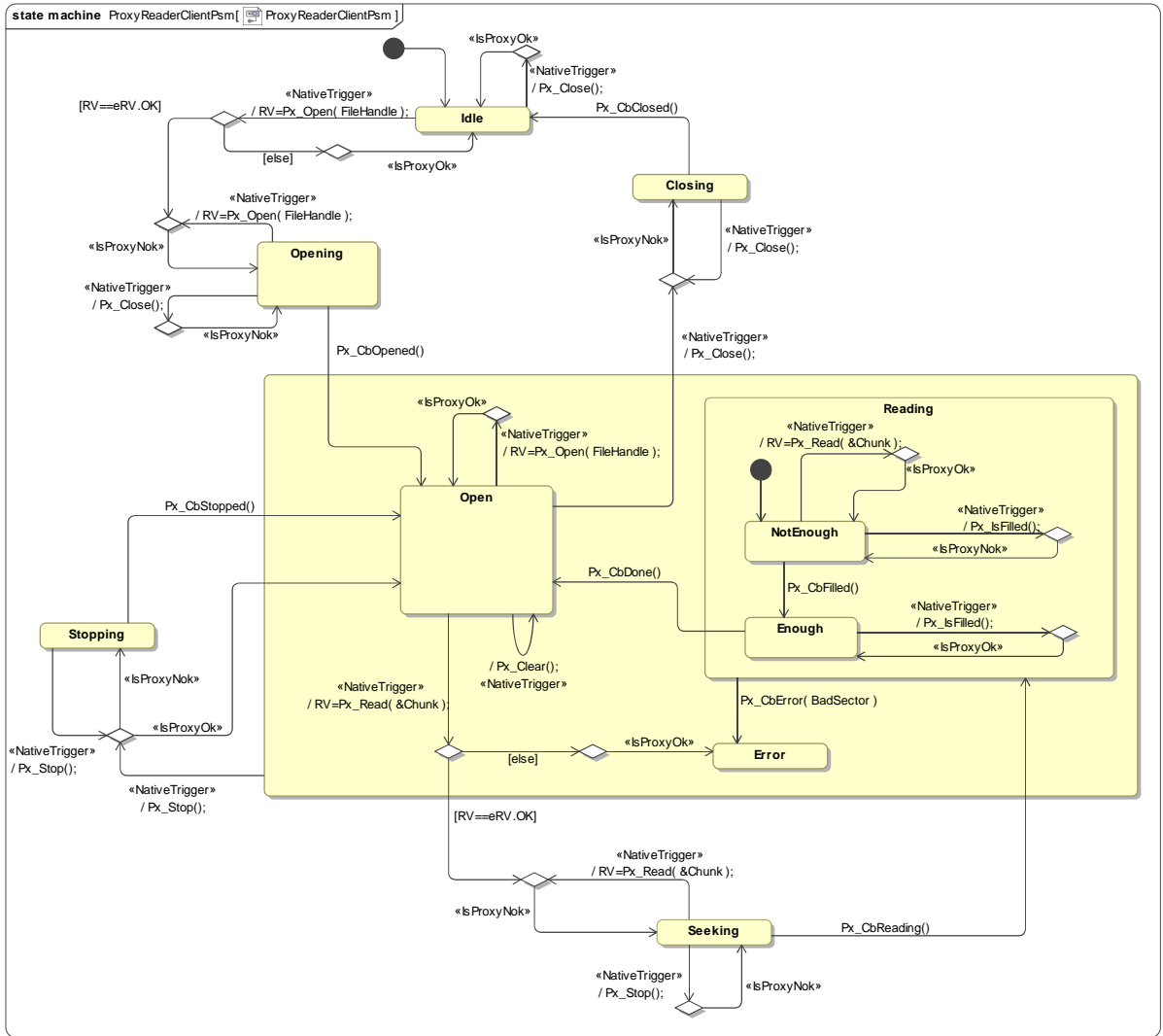


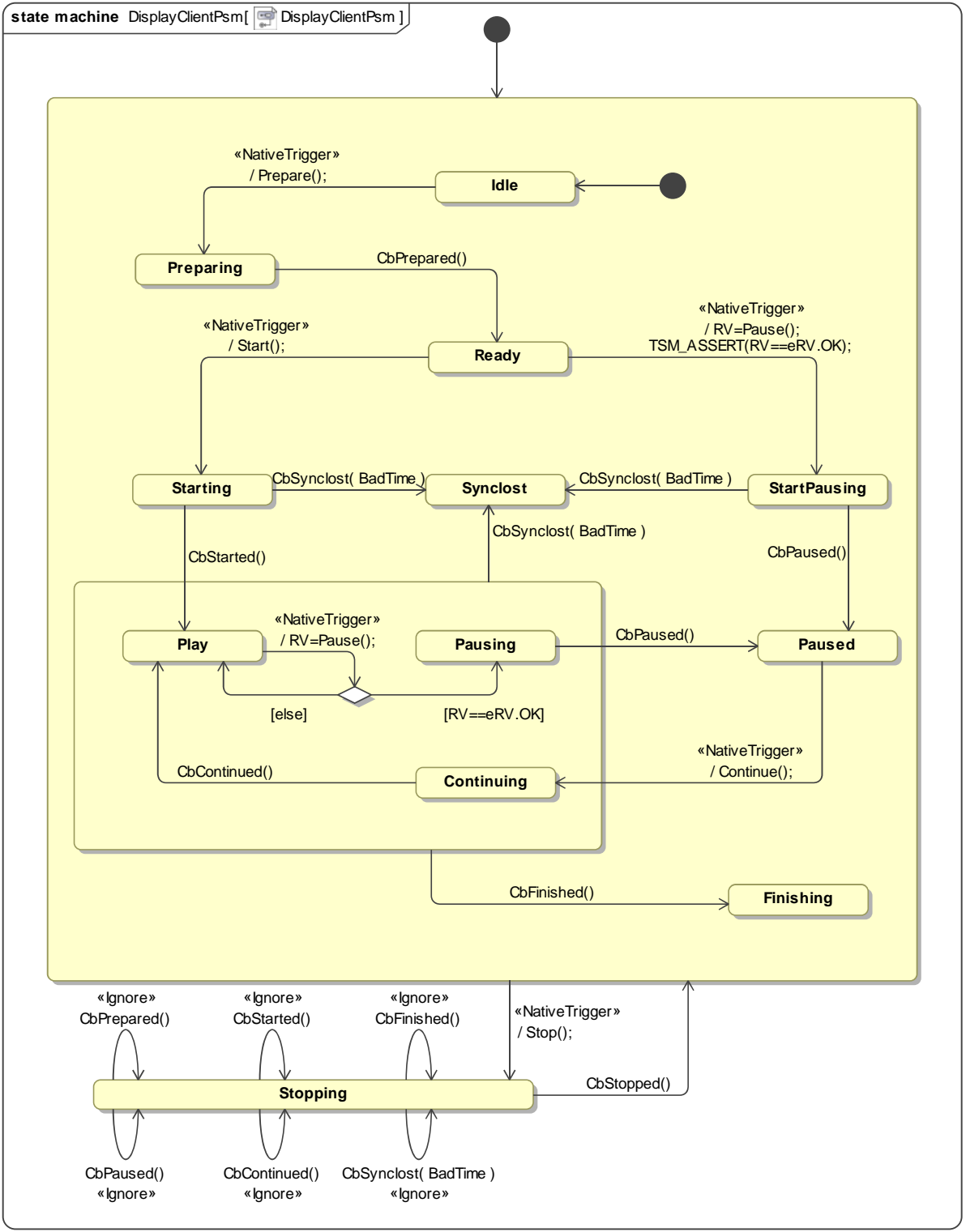


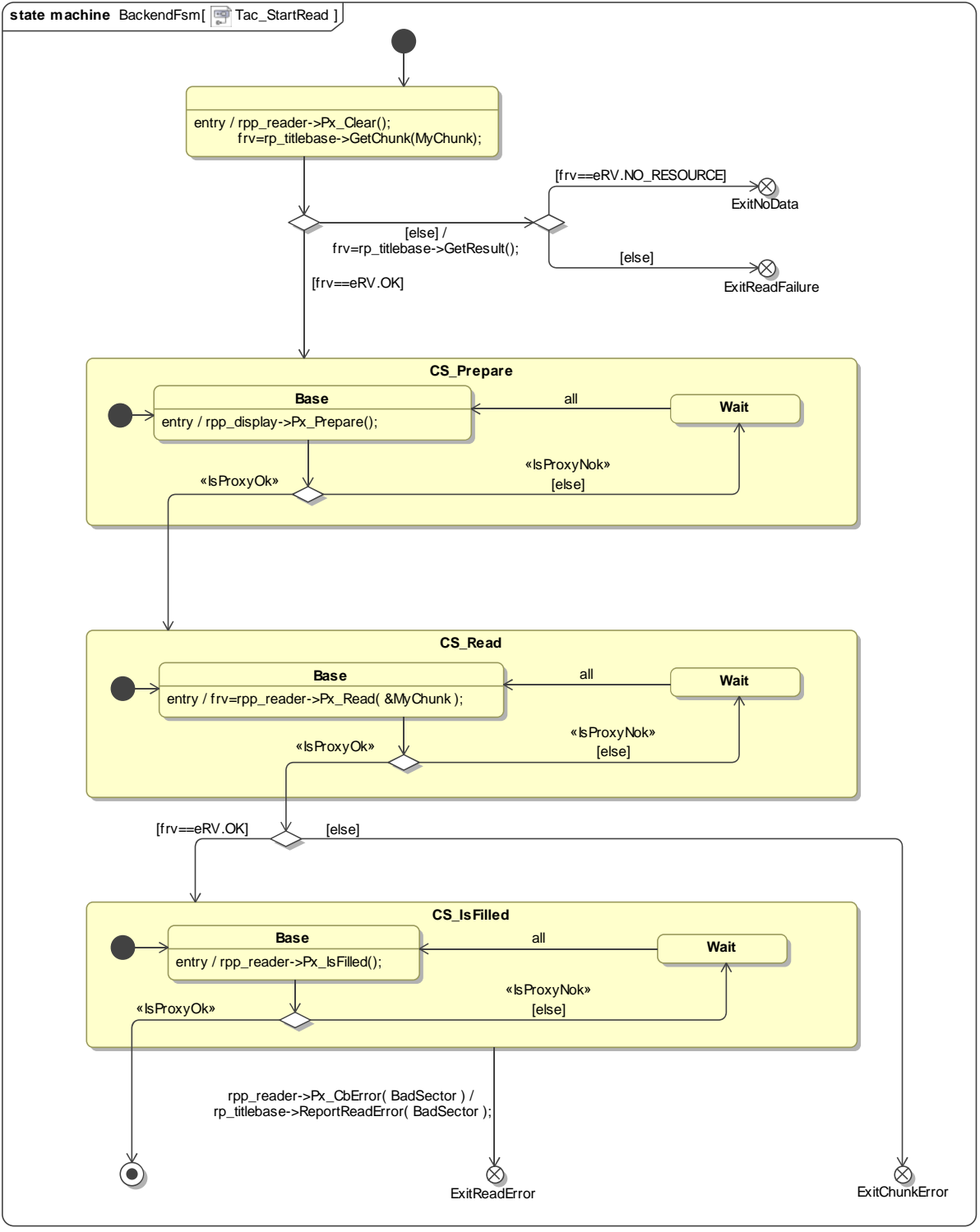


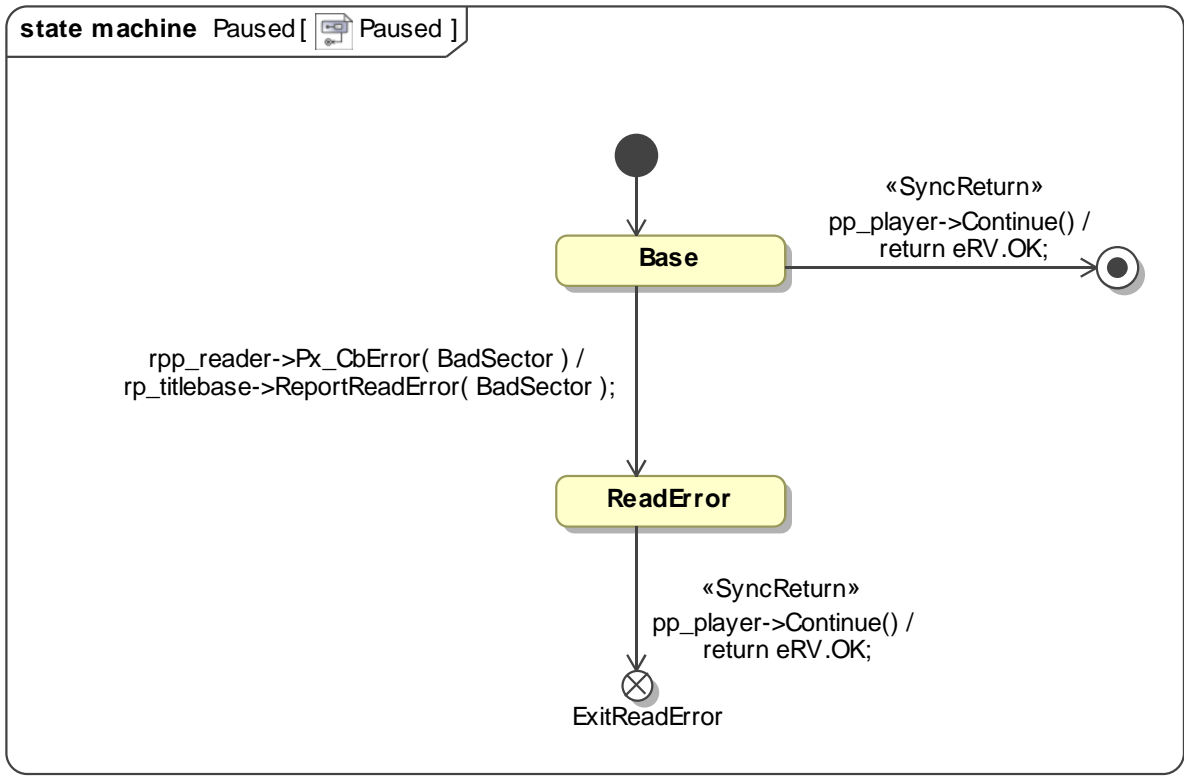


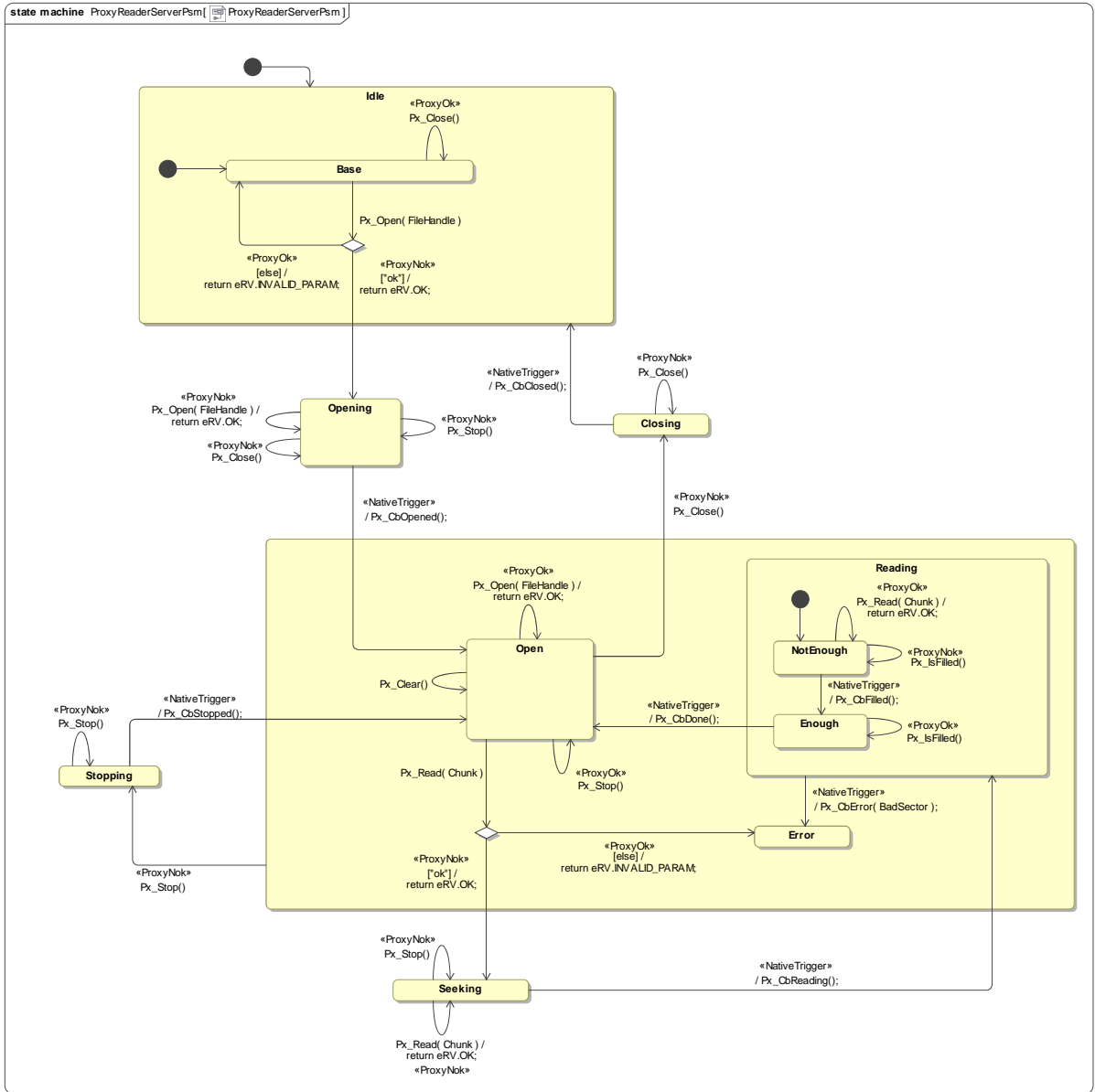


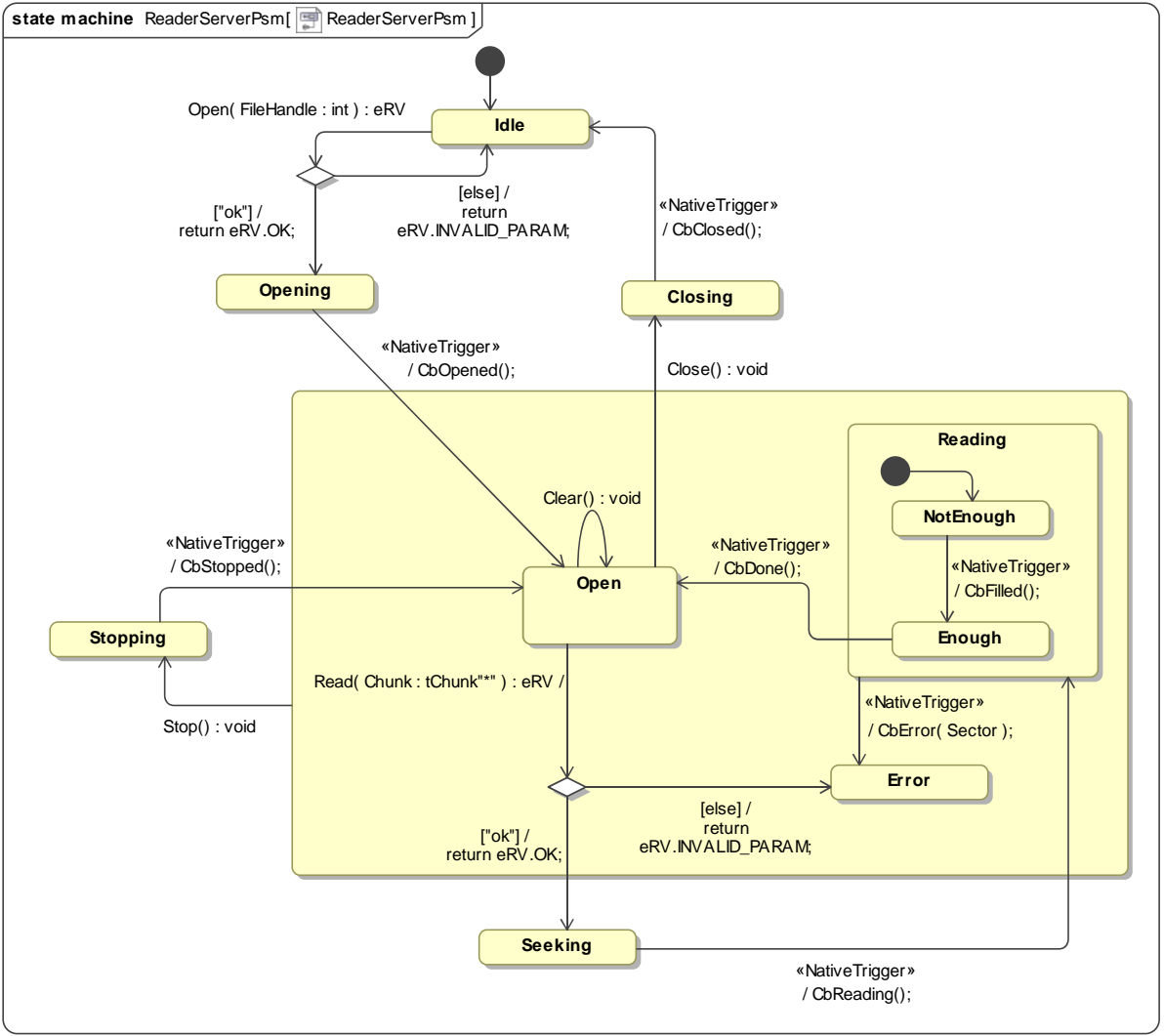


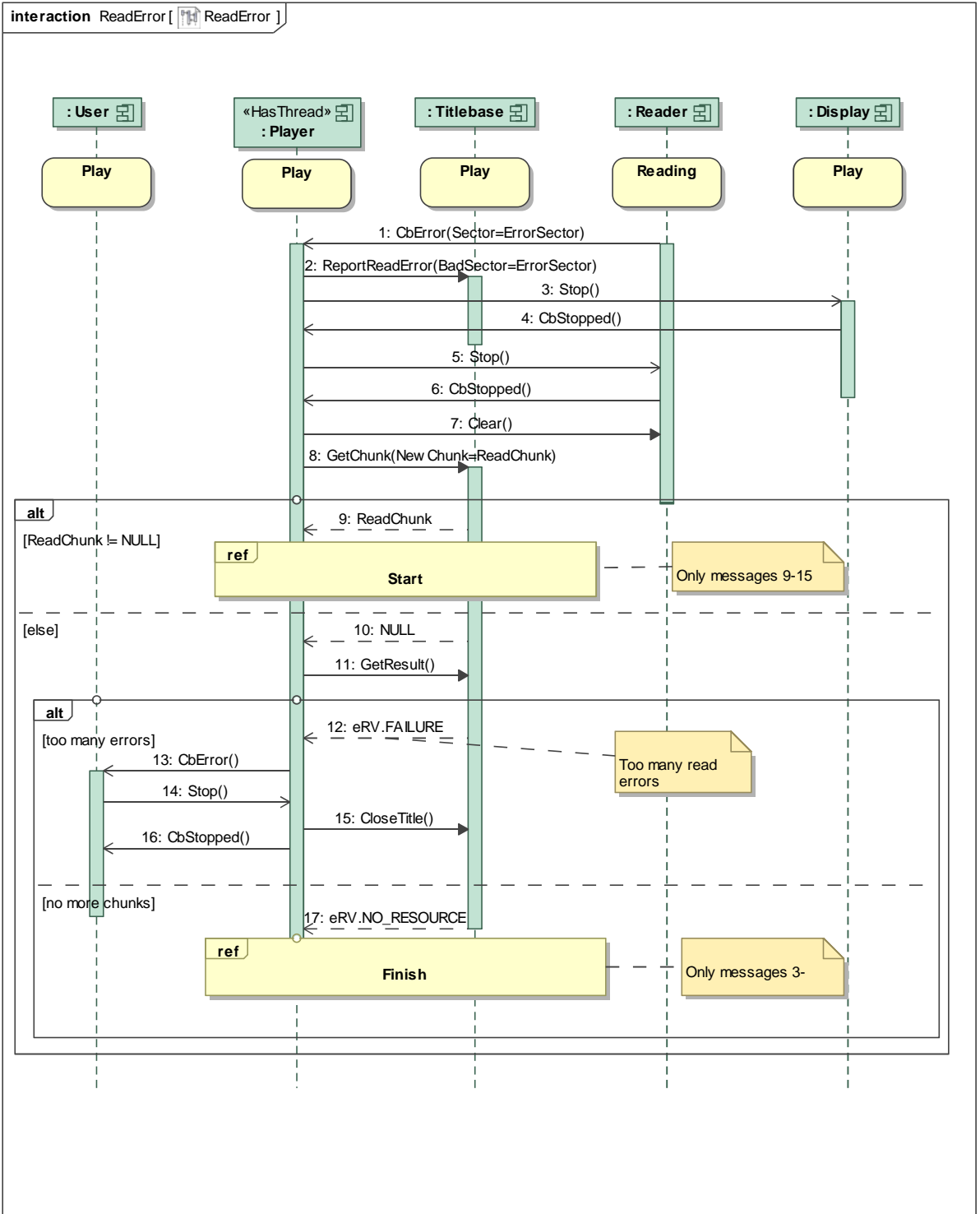


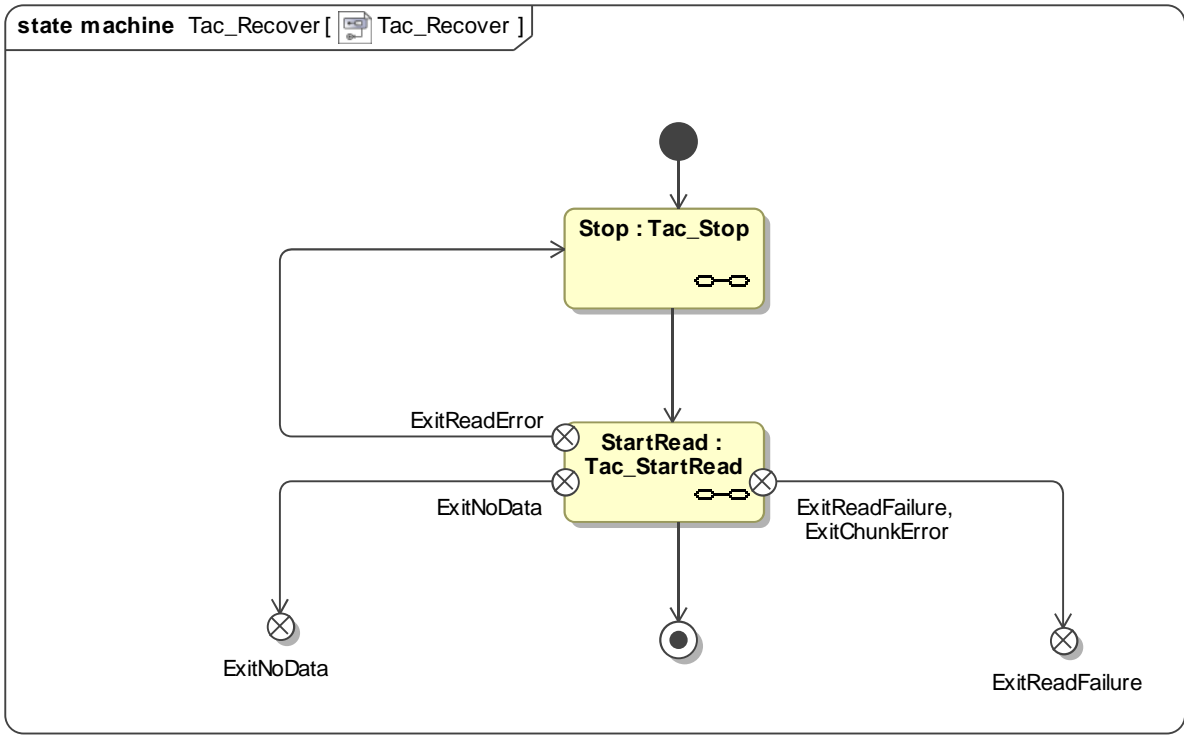


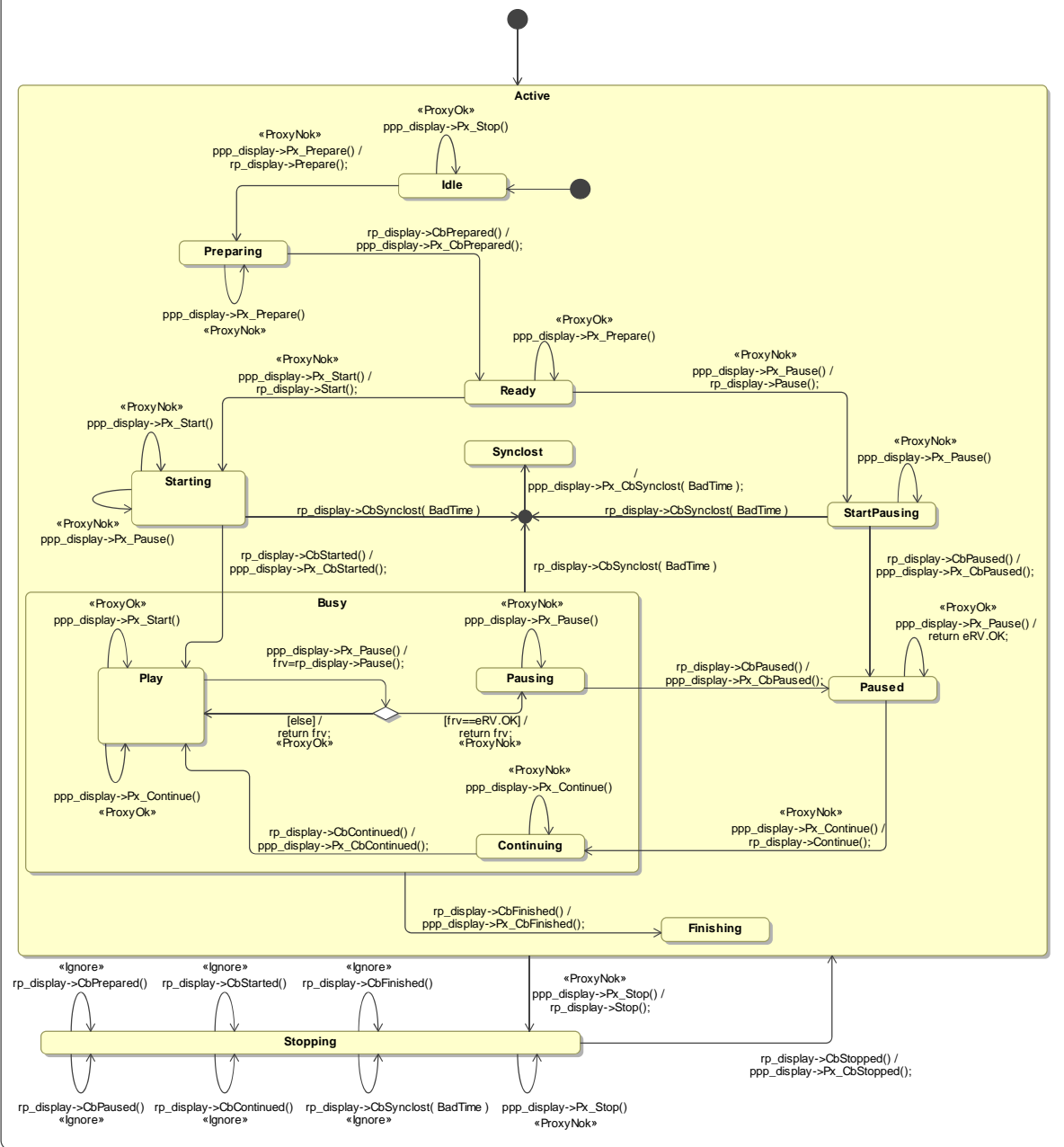


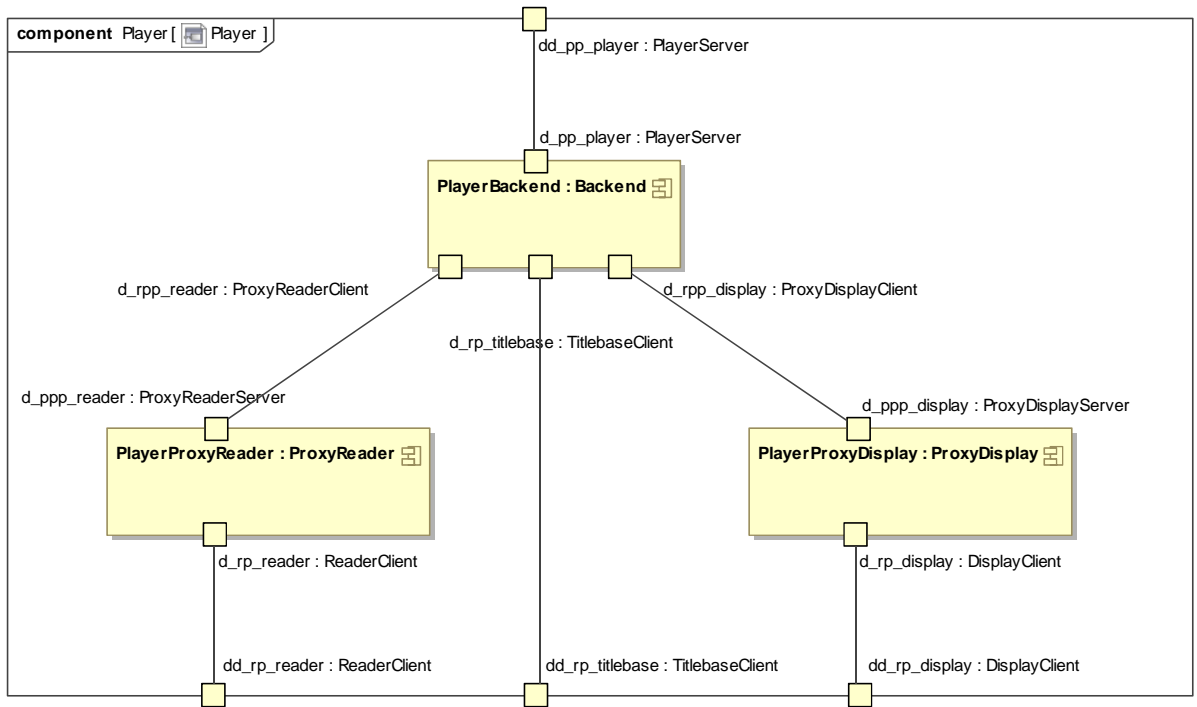


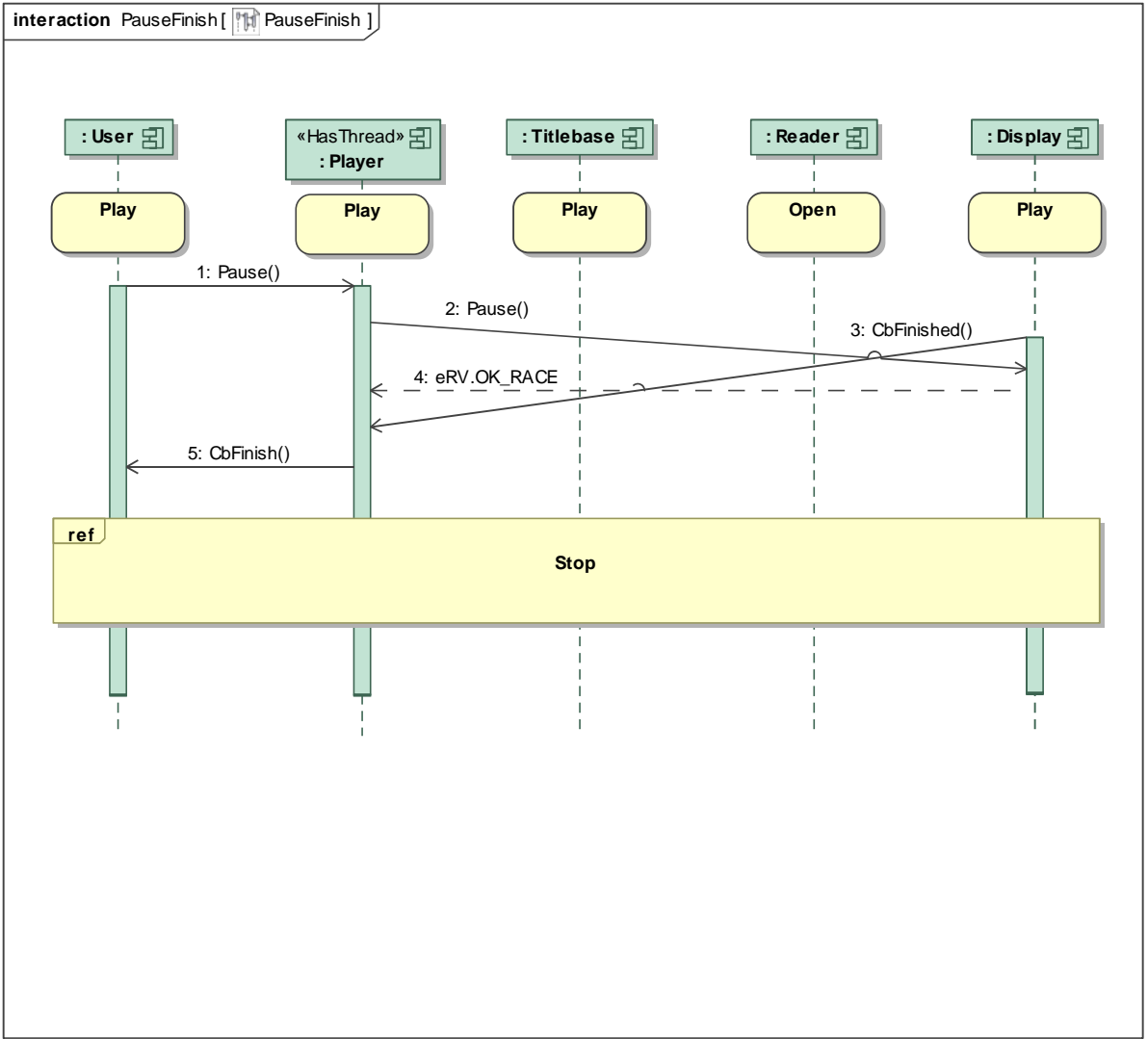


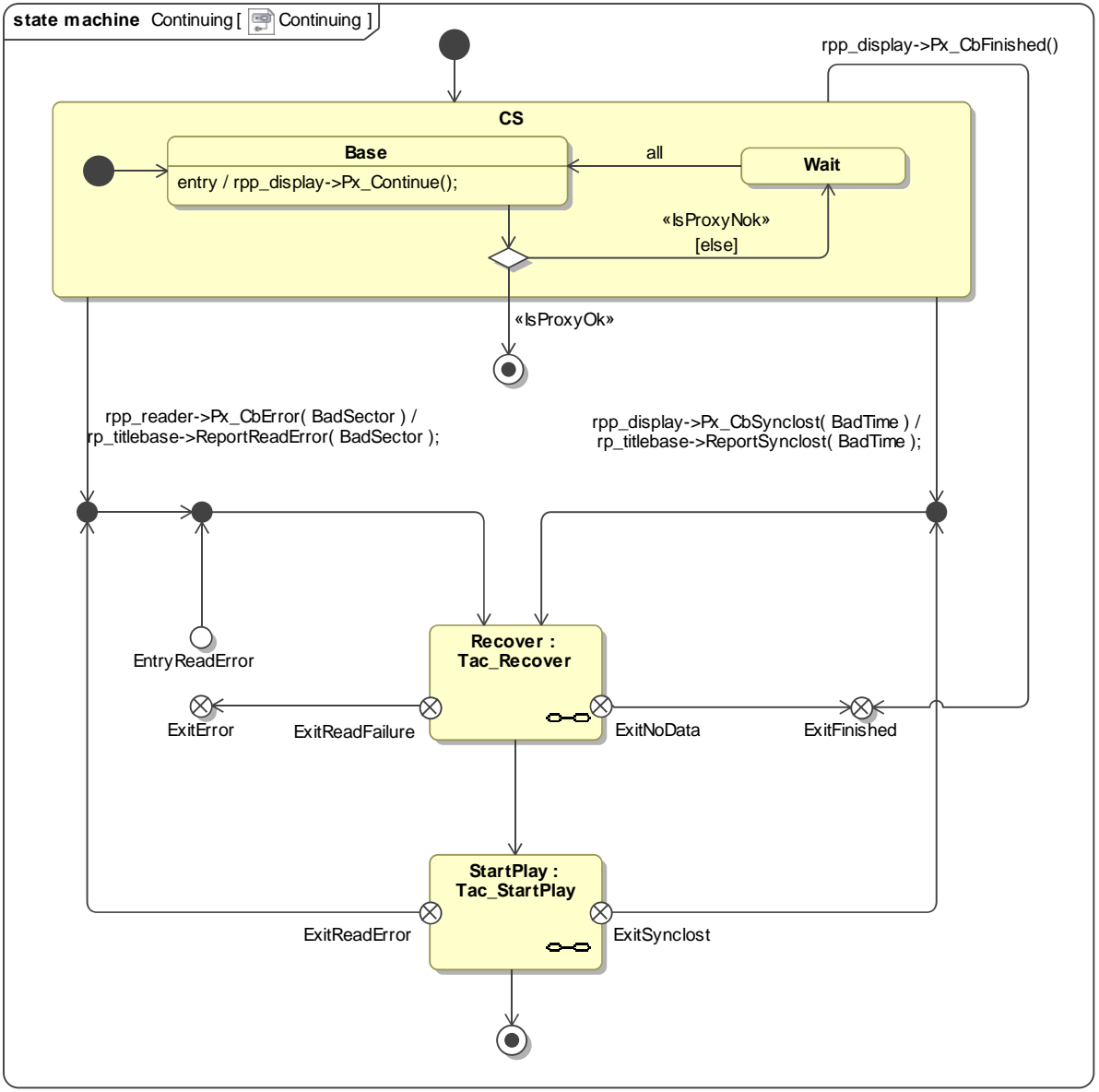


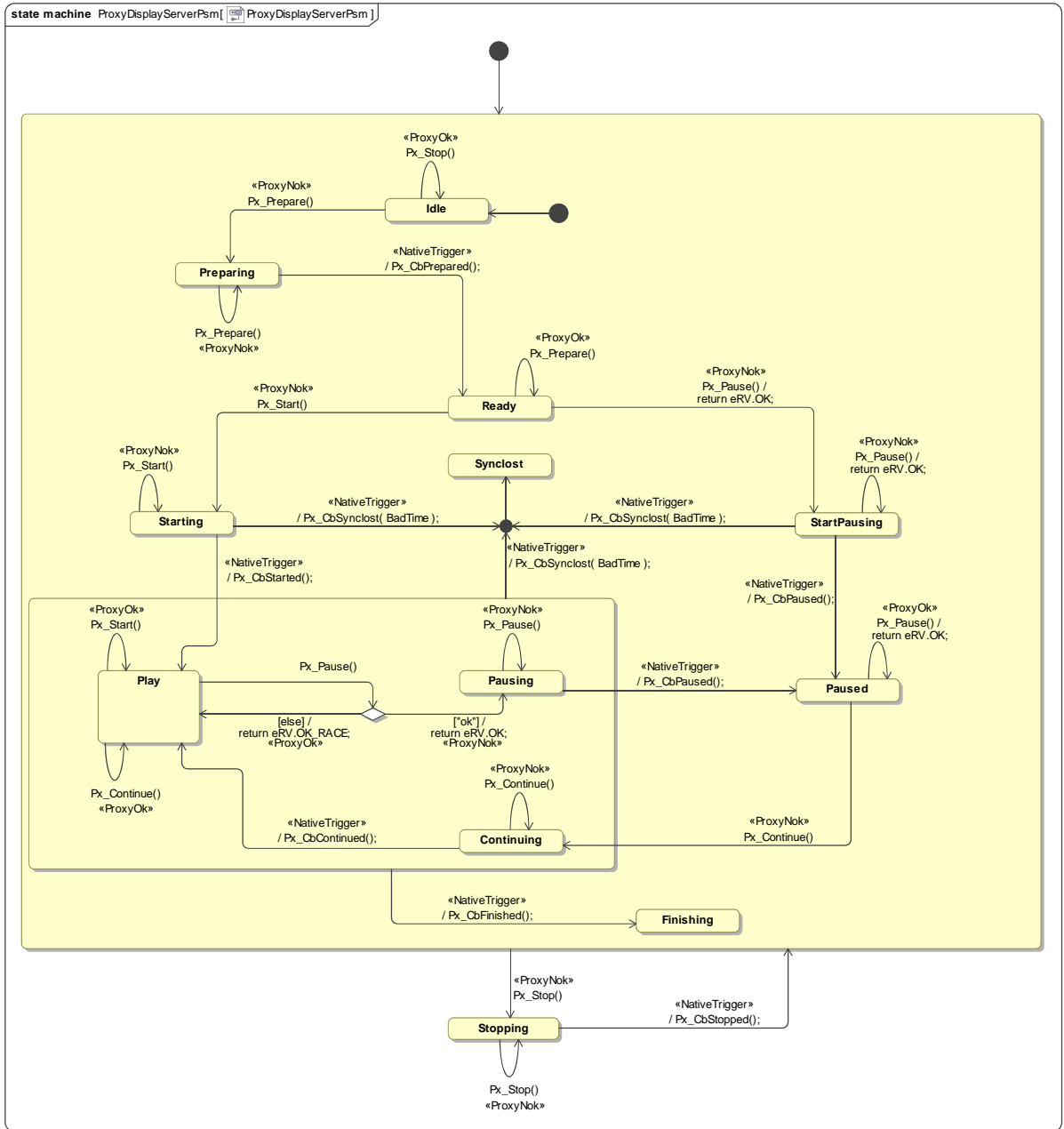


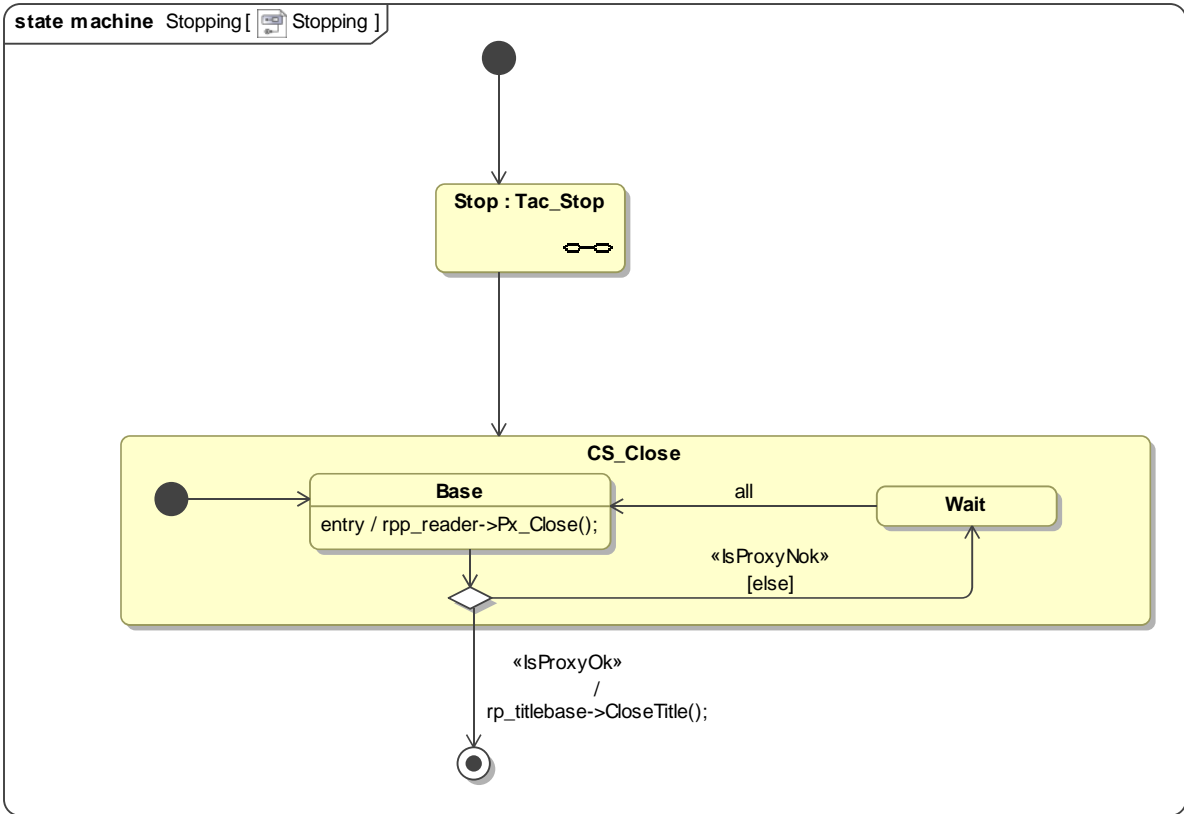


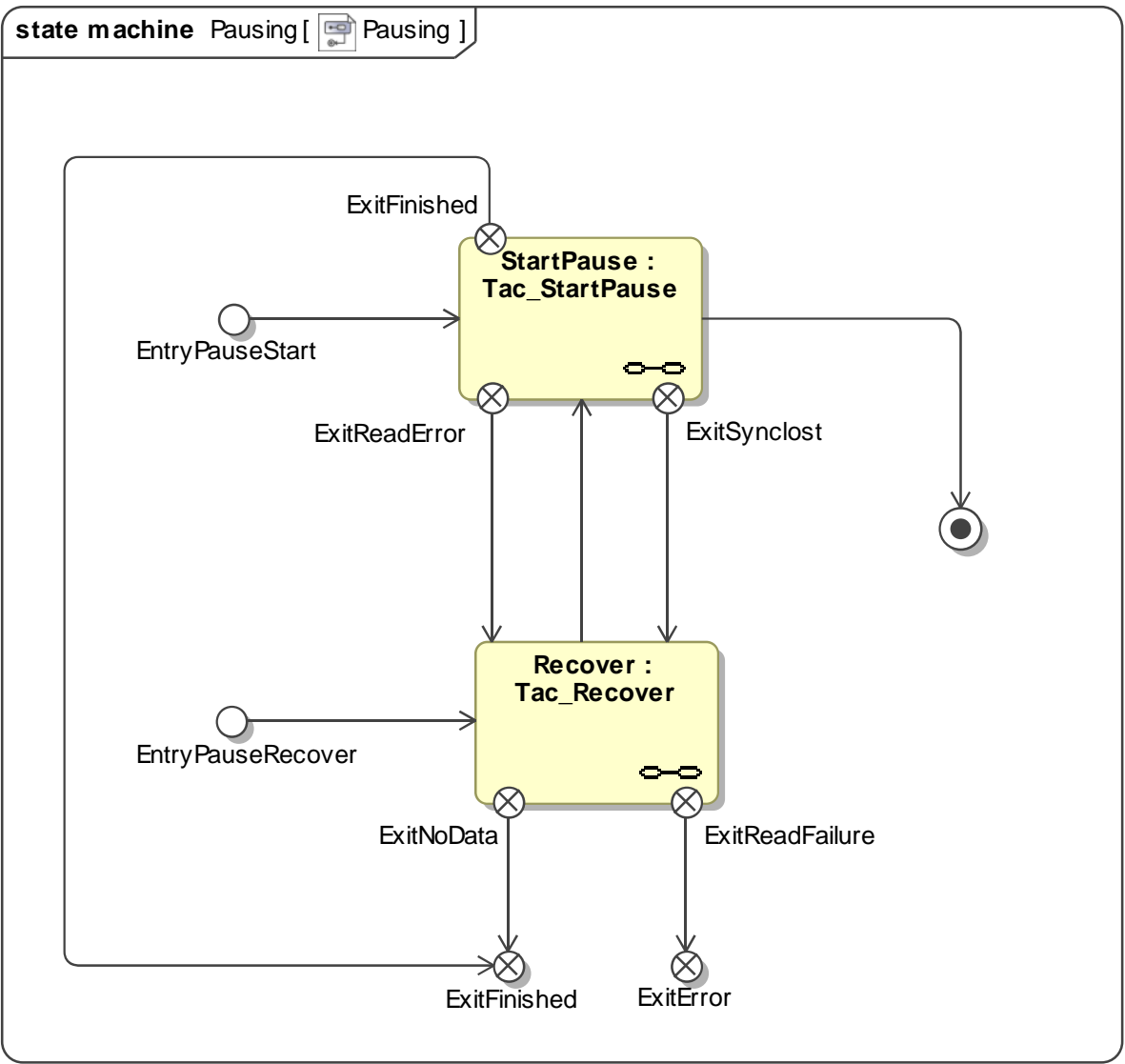


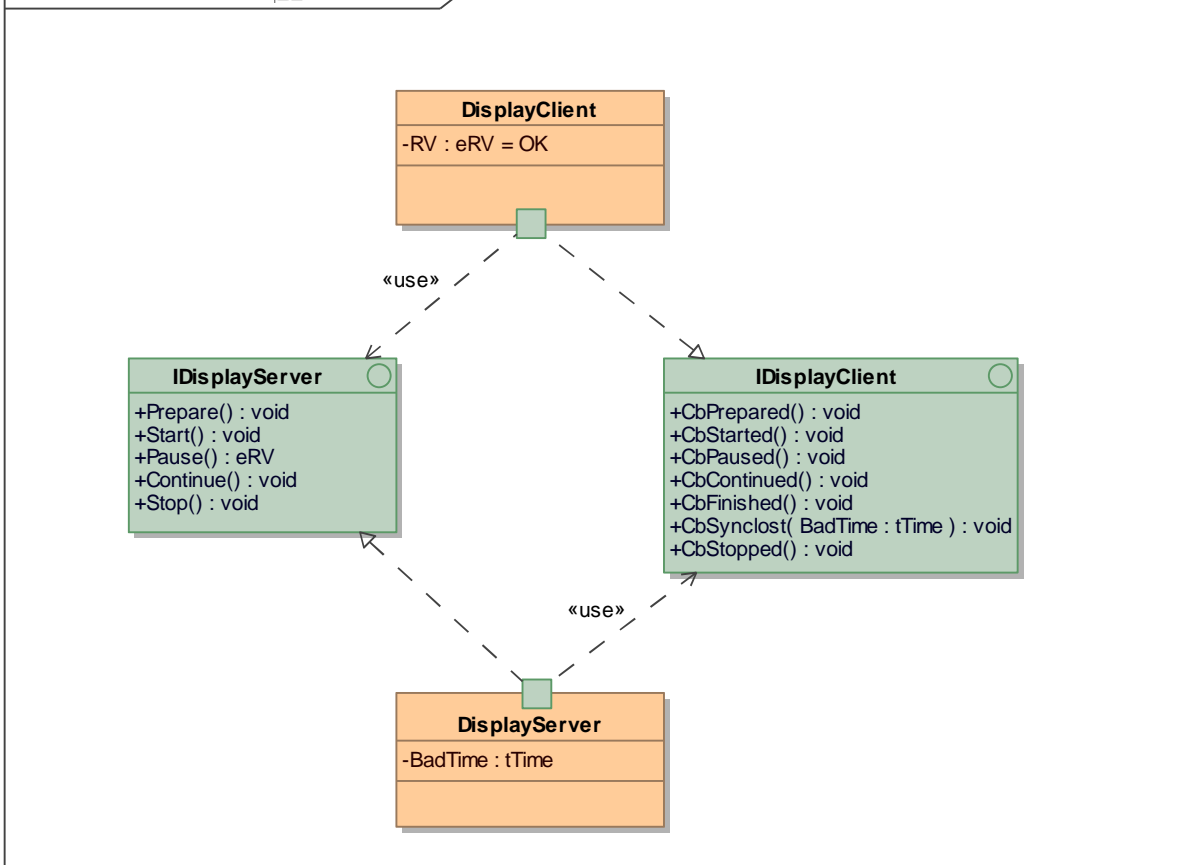


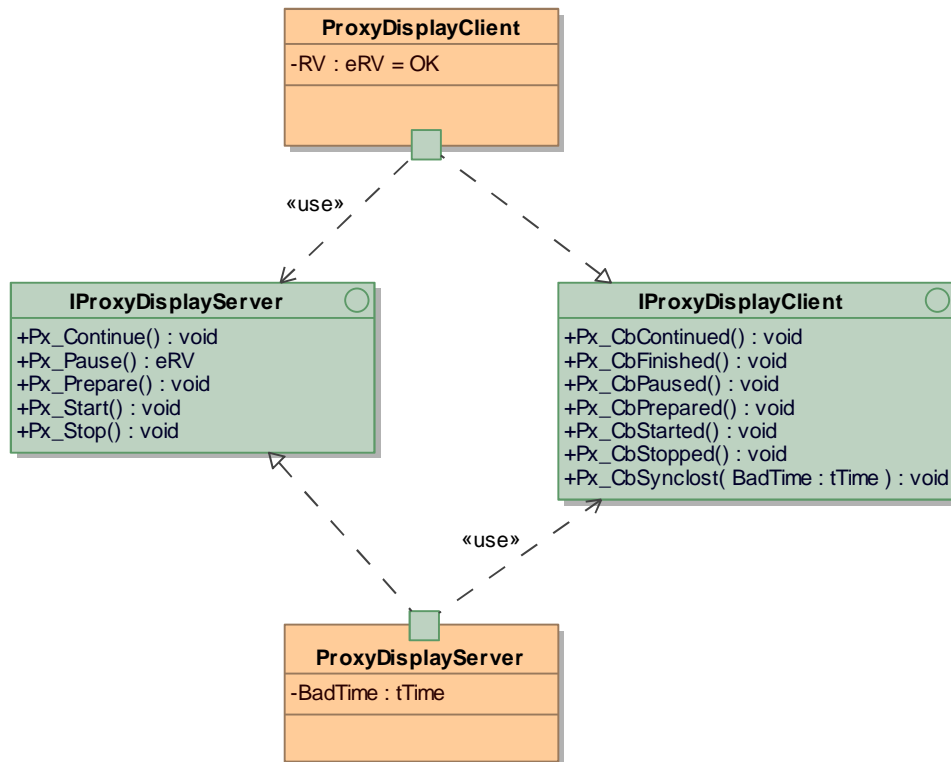


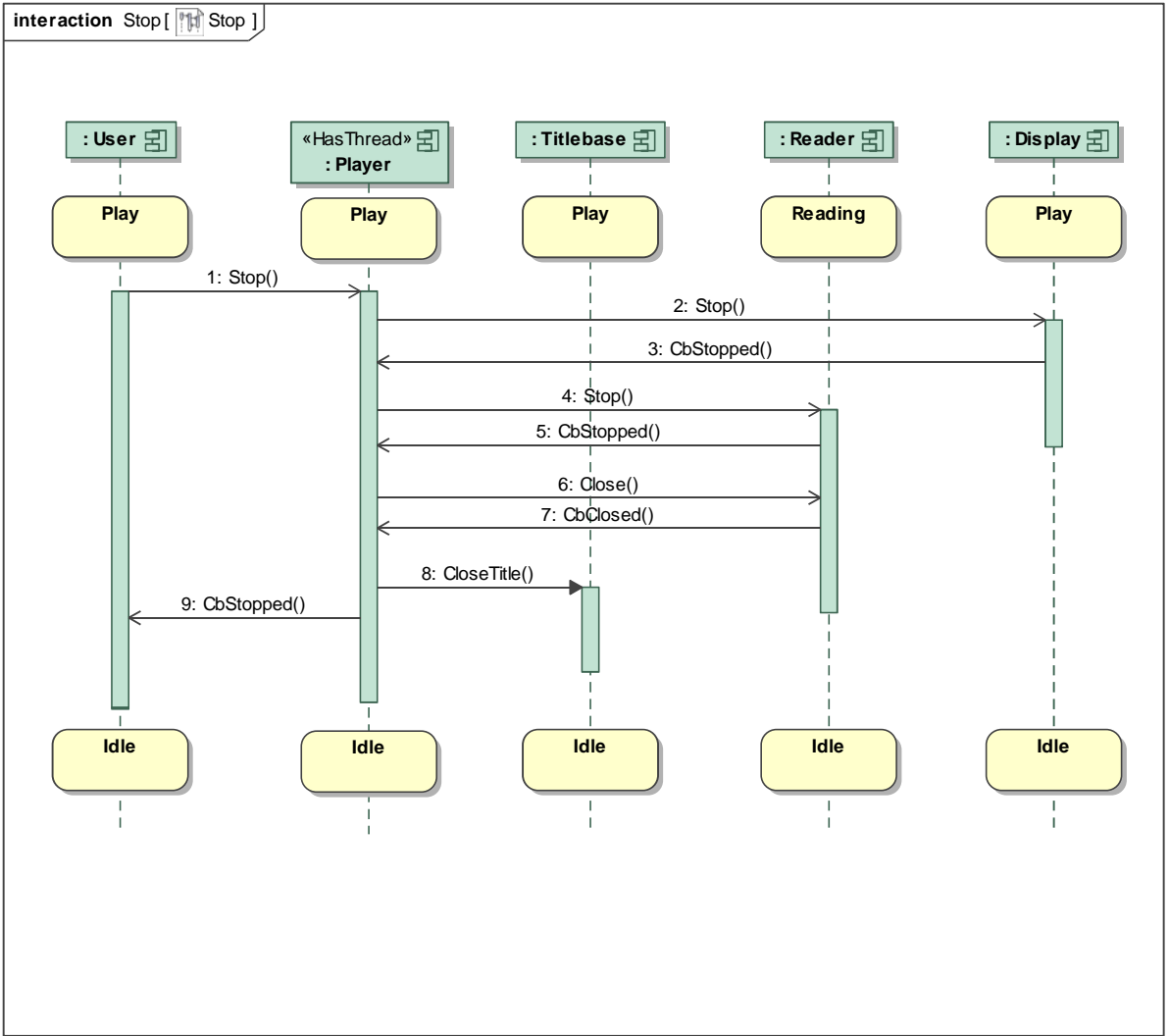


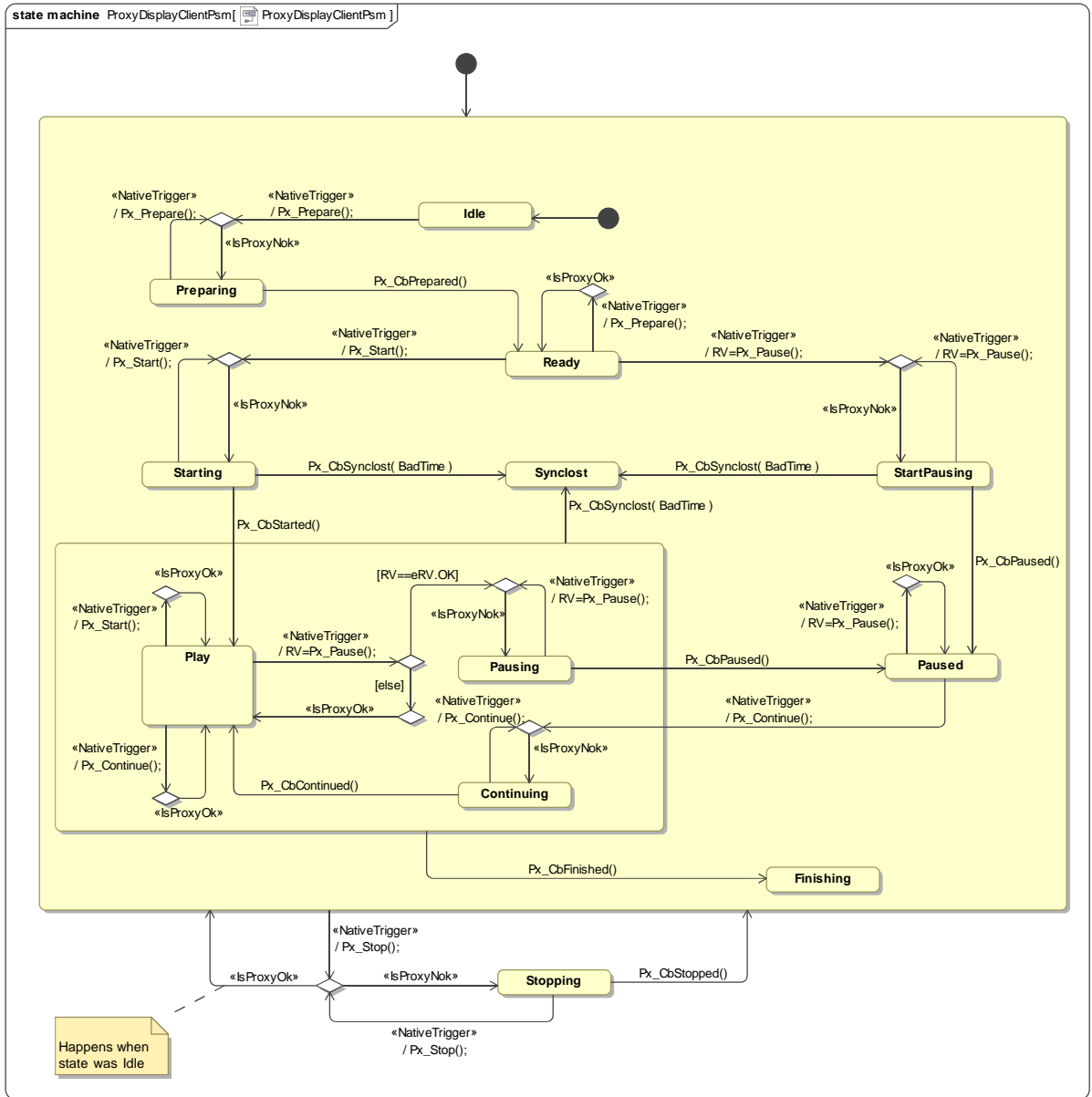


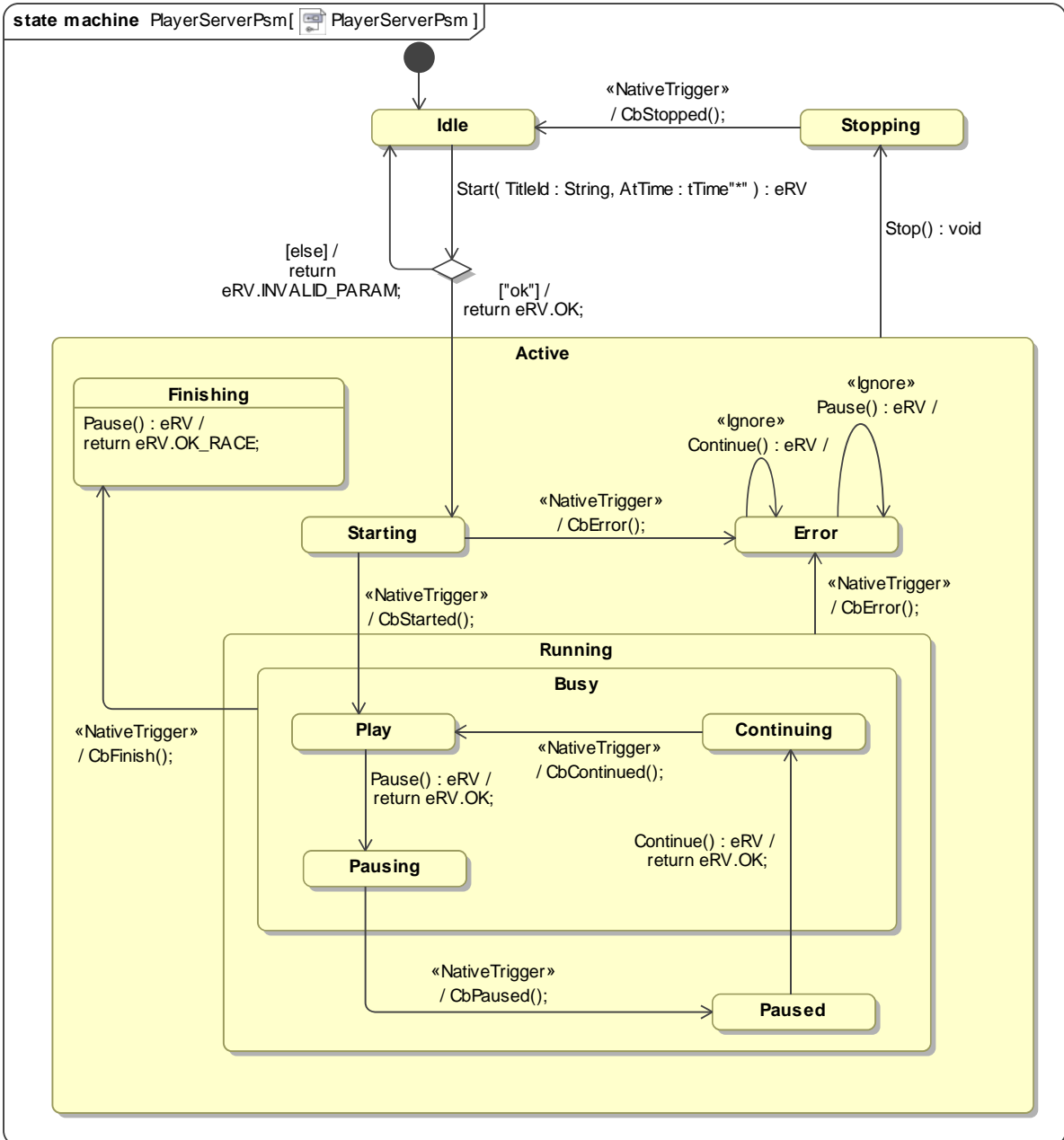


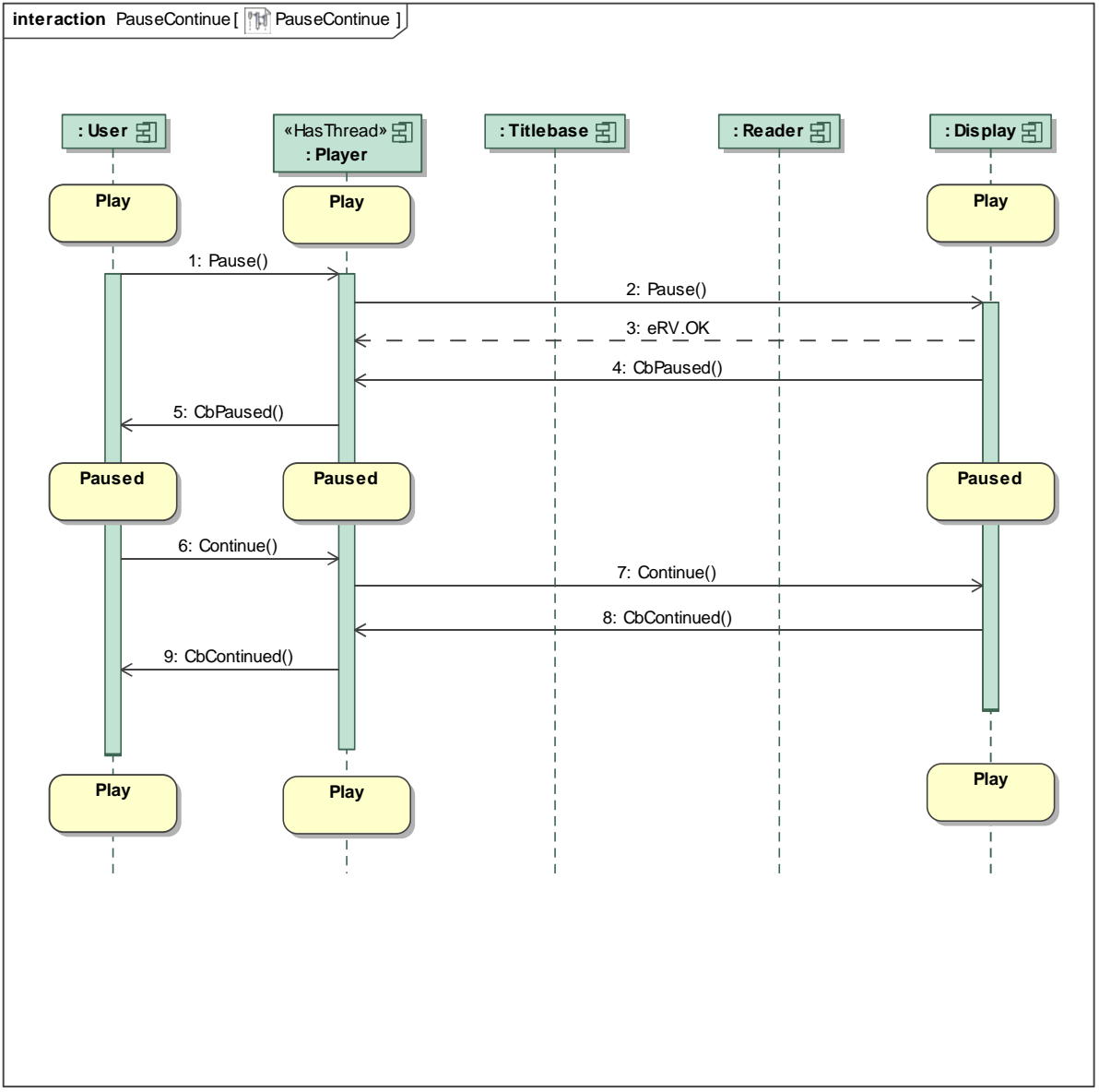


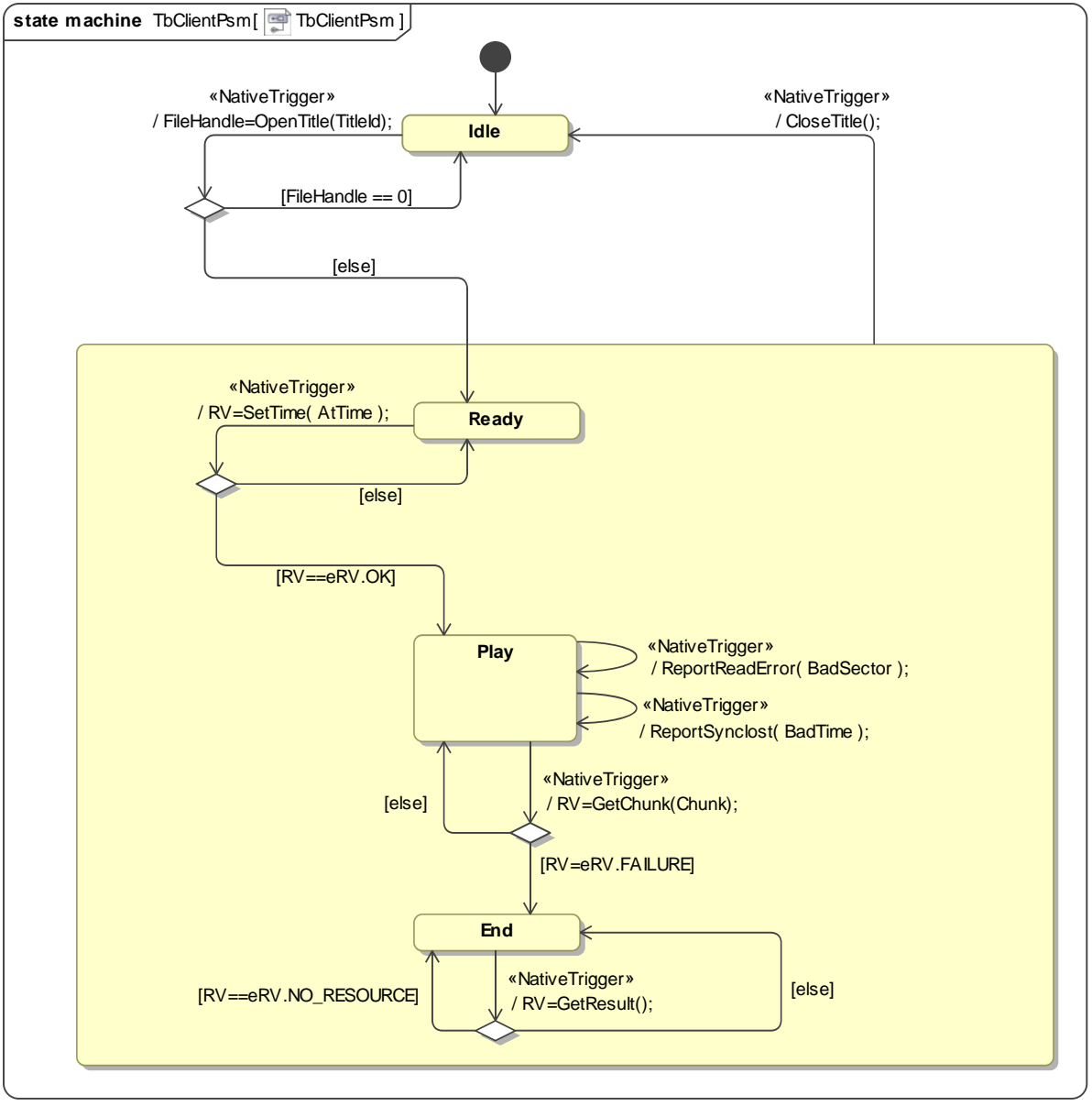




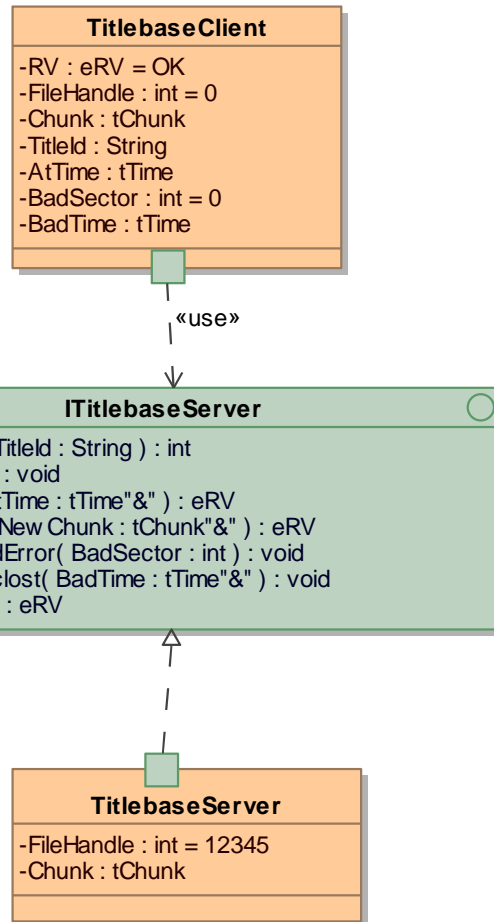


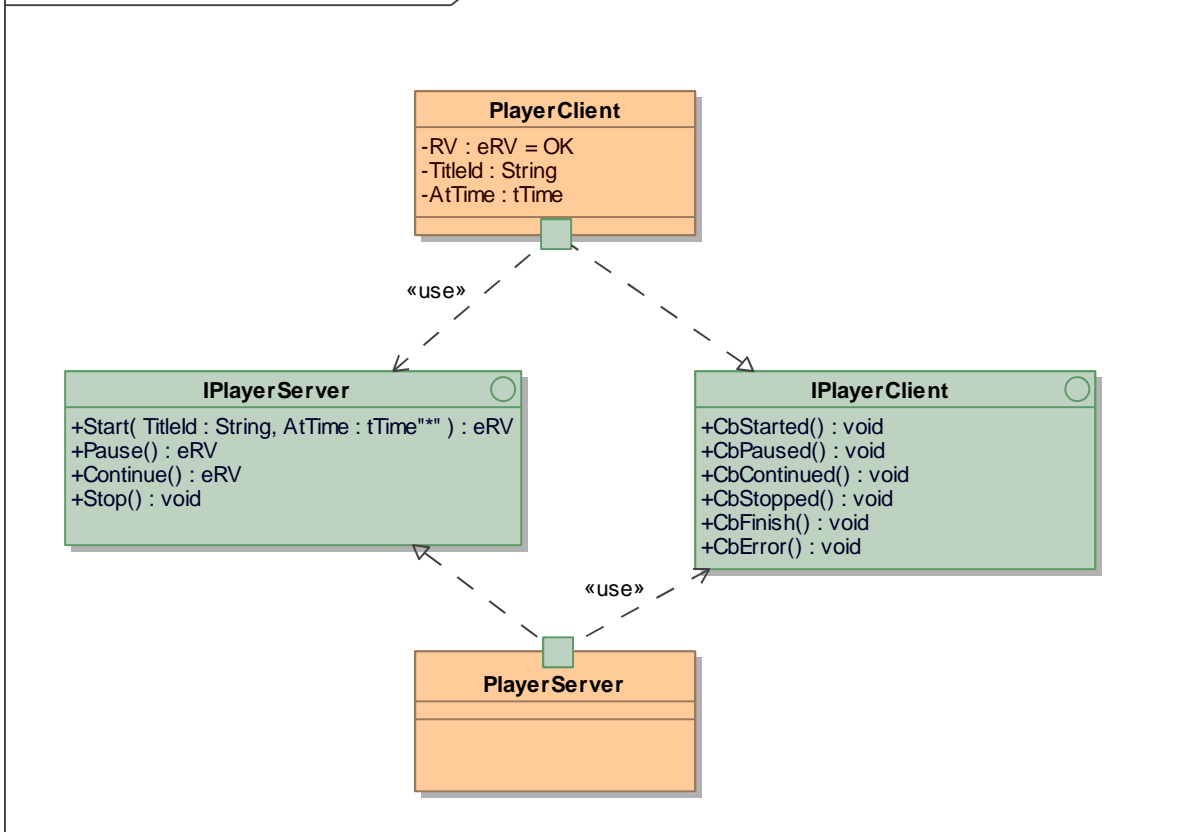


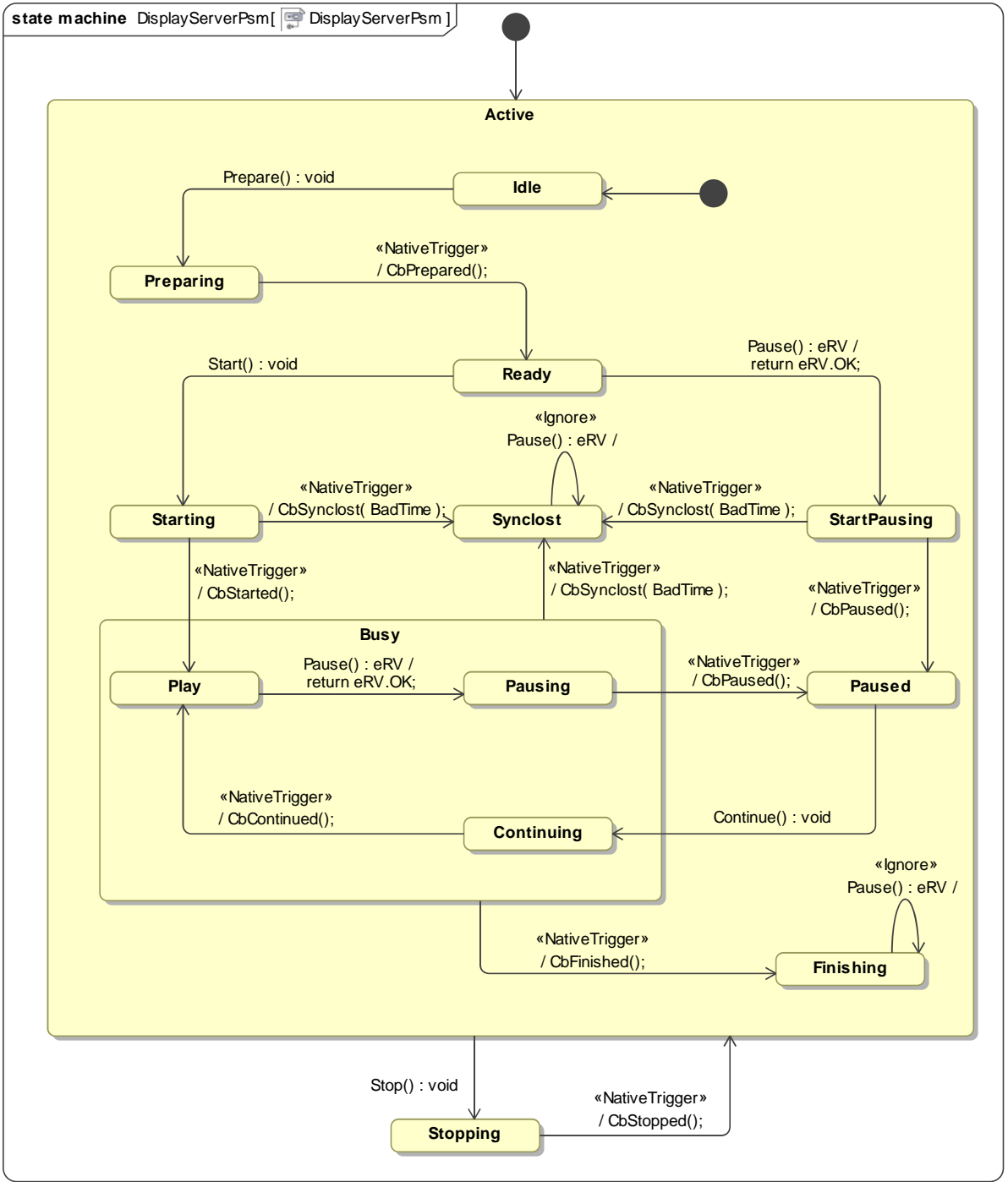


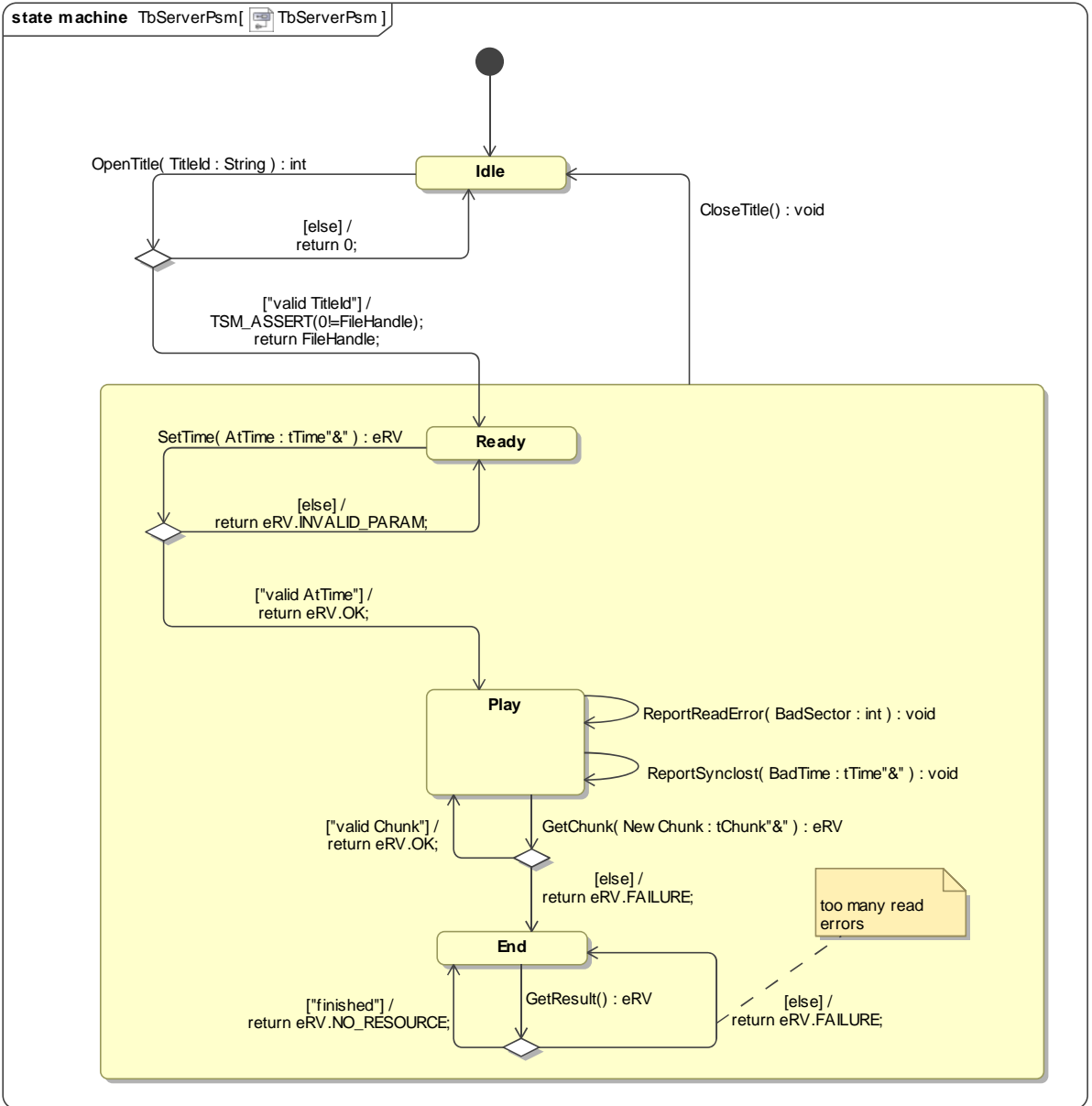


package TitlebaseProtocol [ClassDiagram]









state machine Tac_StartPlay [Tac_StartPlay]

