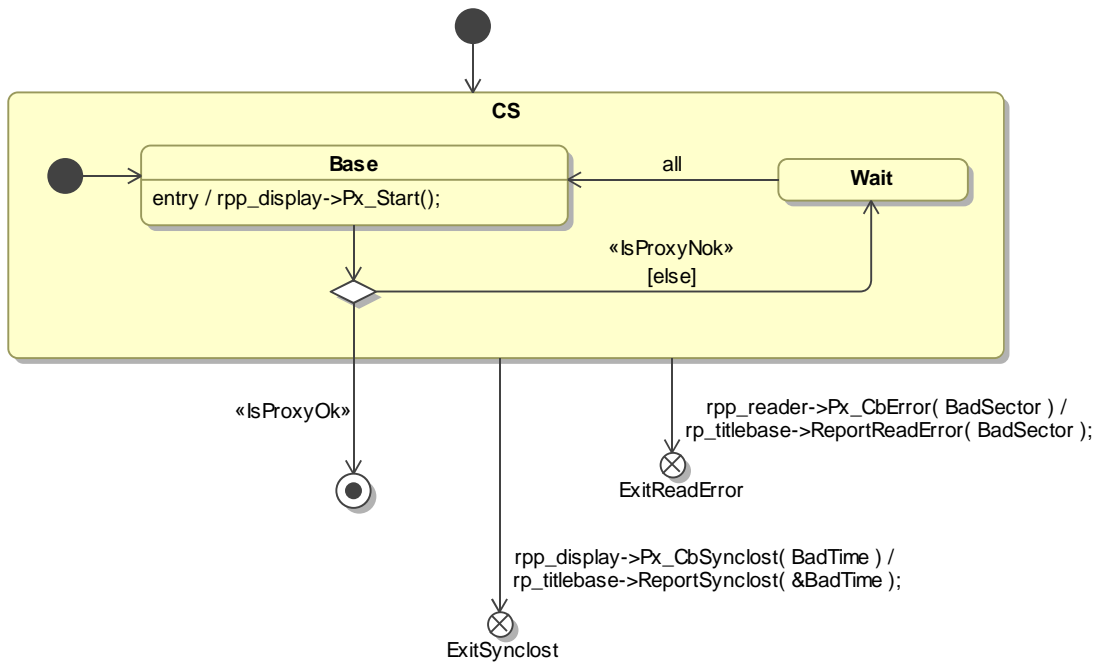
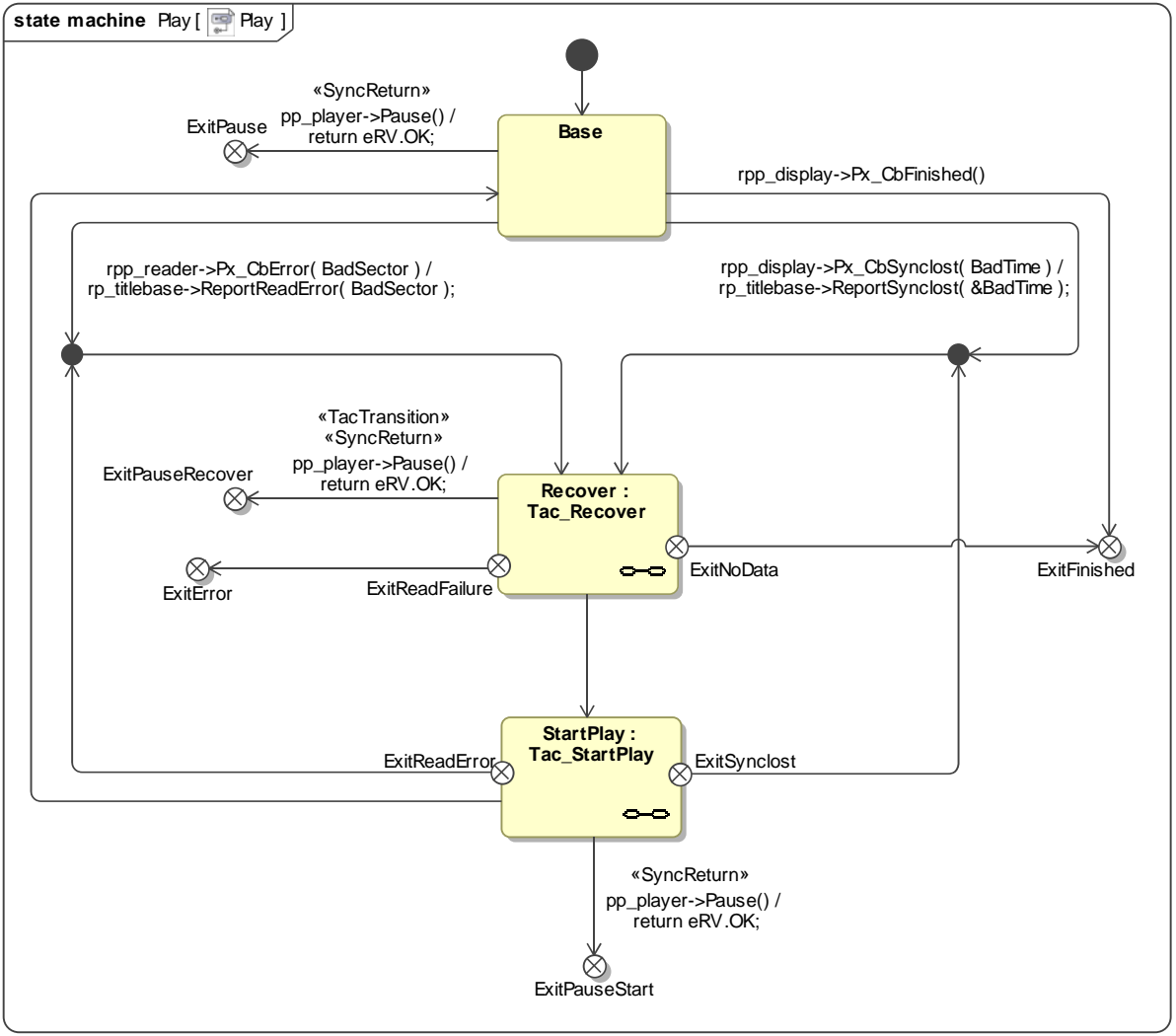
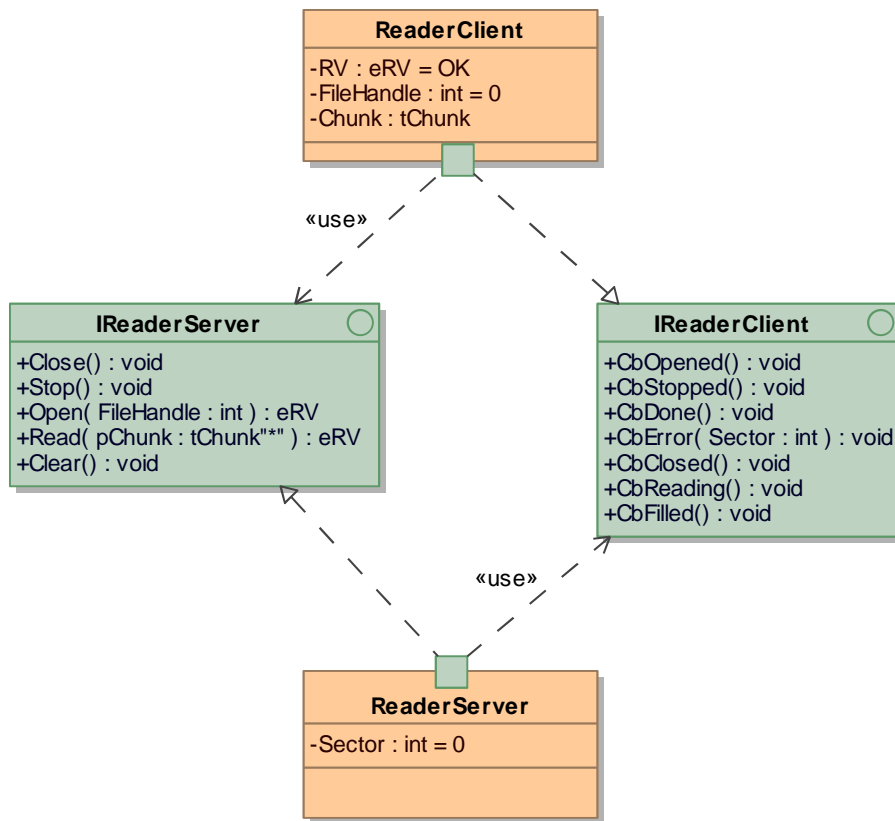
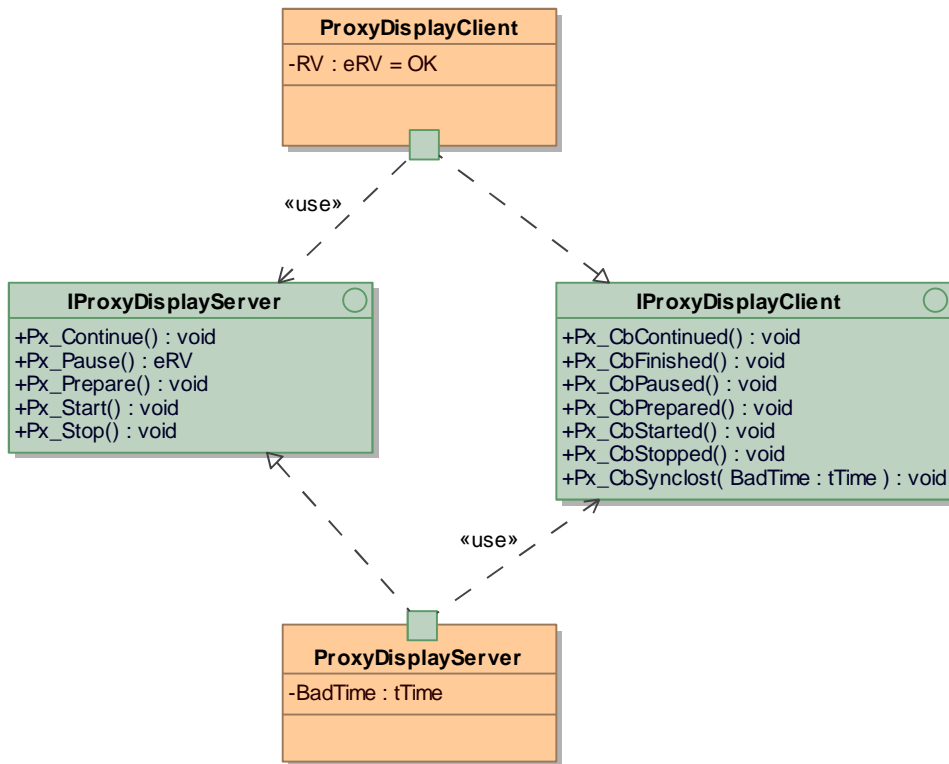


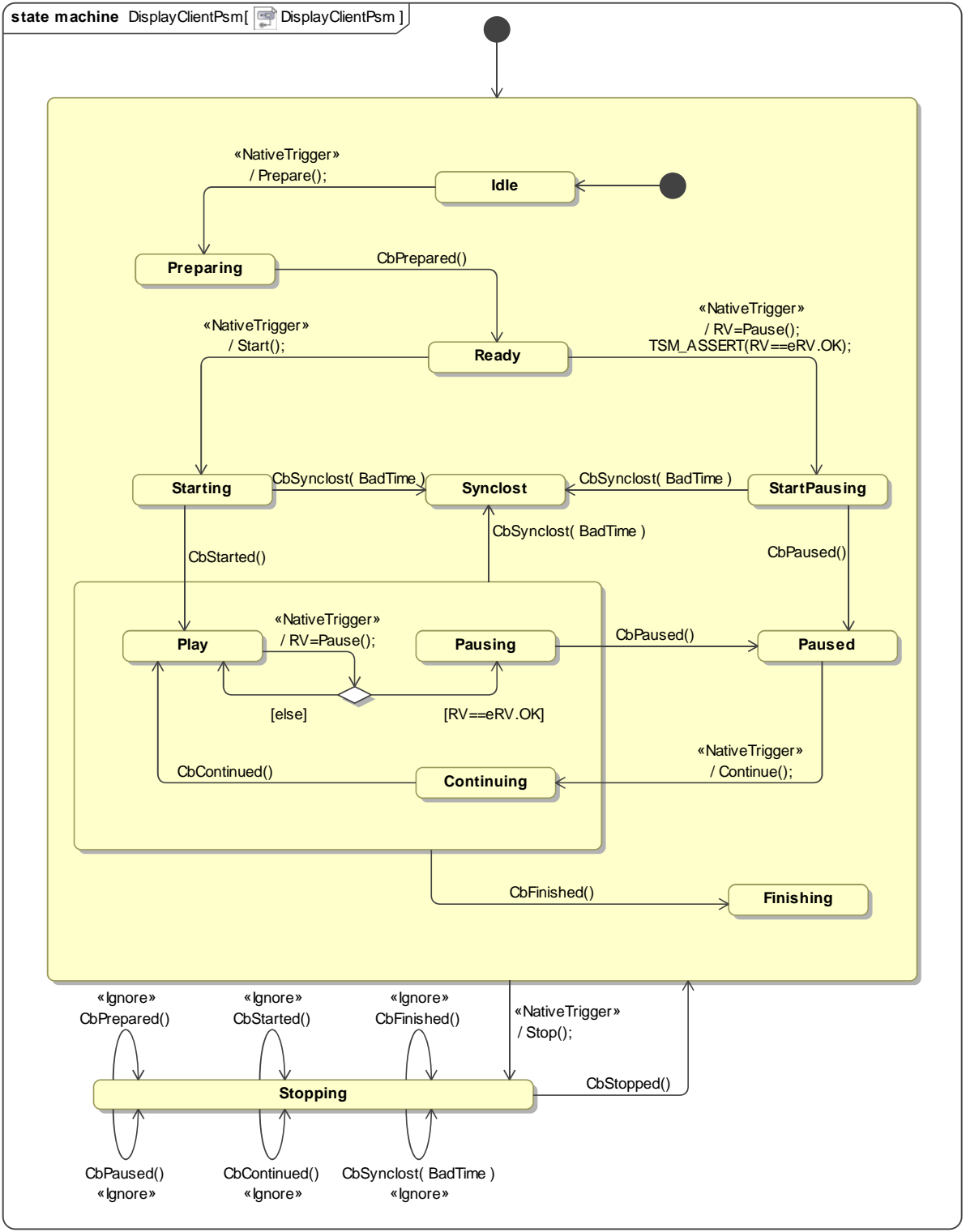
state machine Tac_StartPlay [Tac_StartPlay]

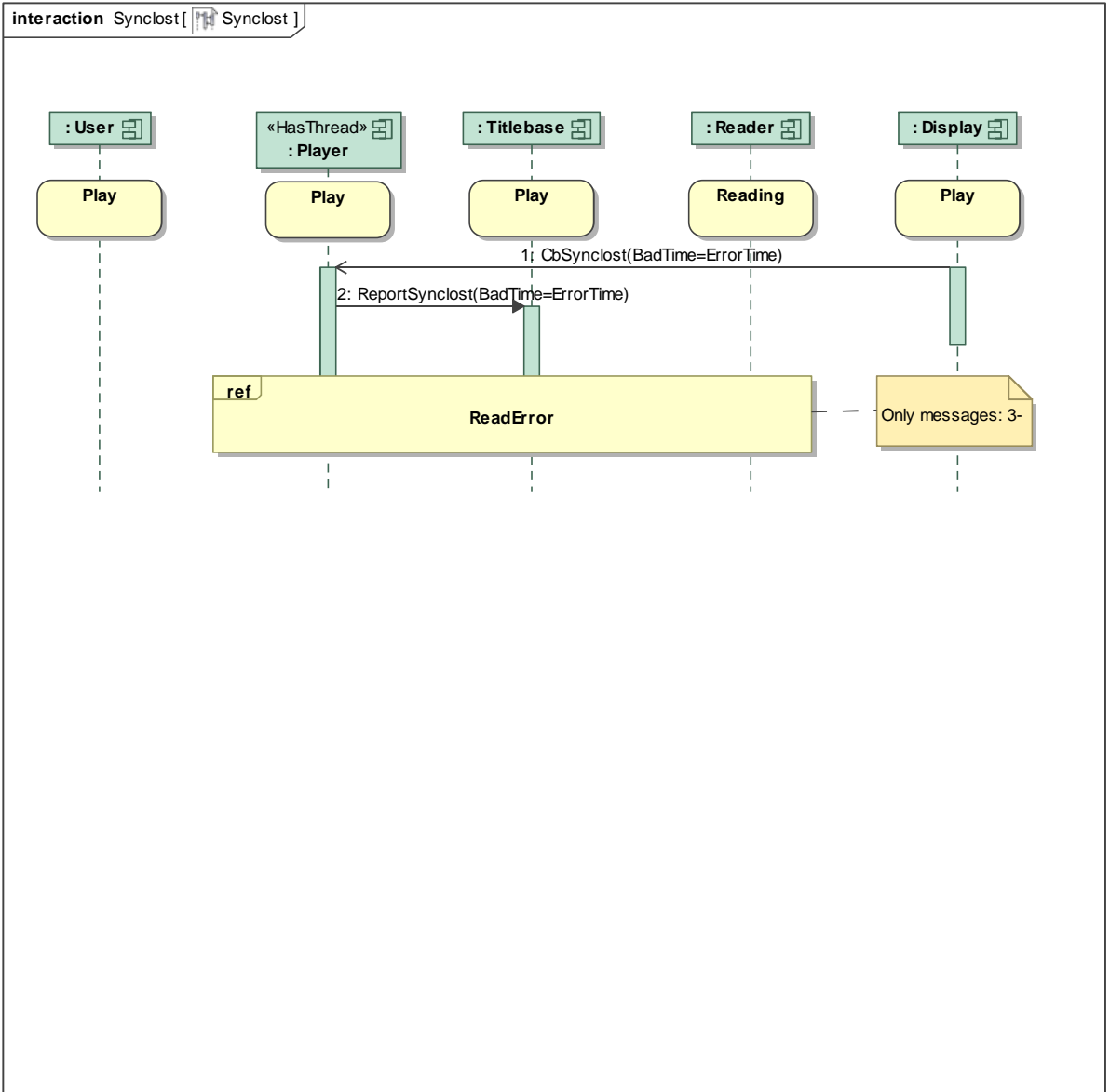


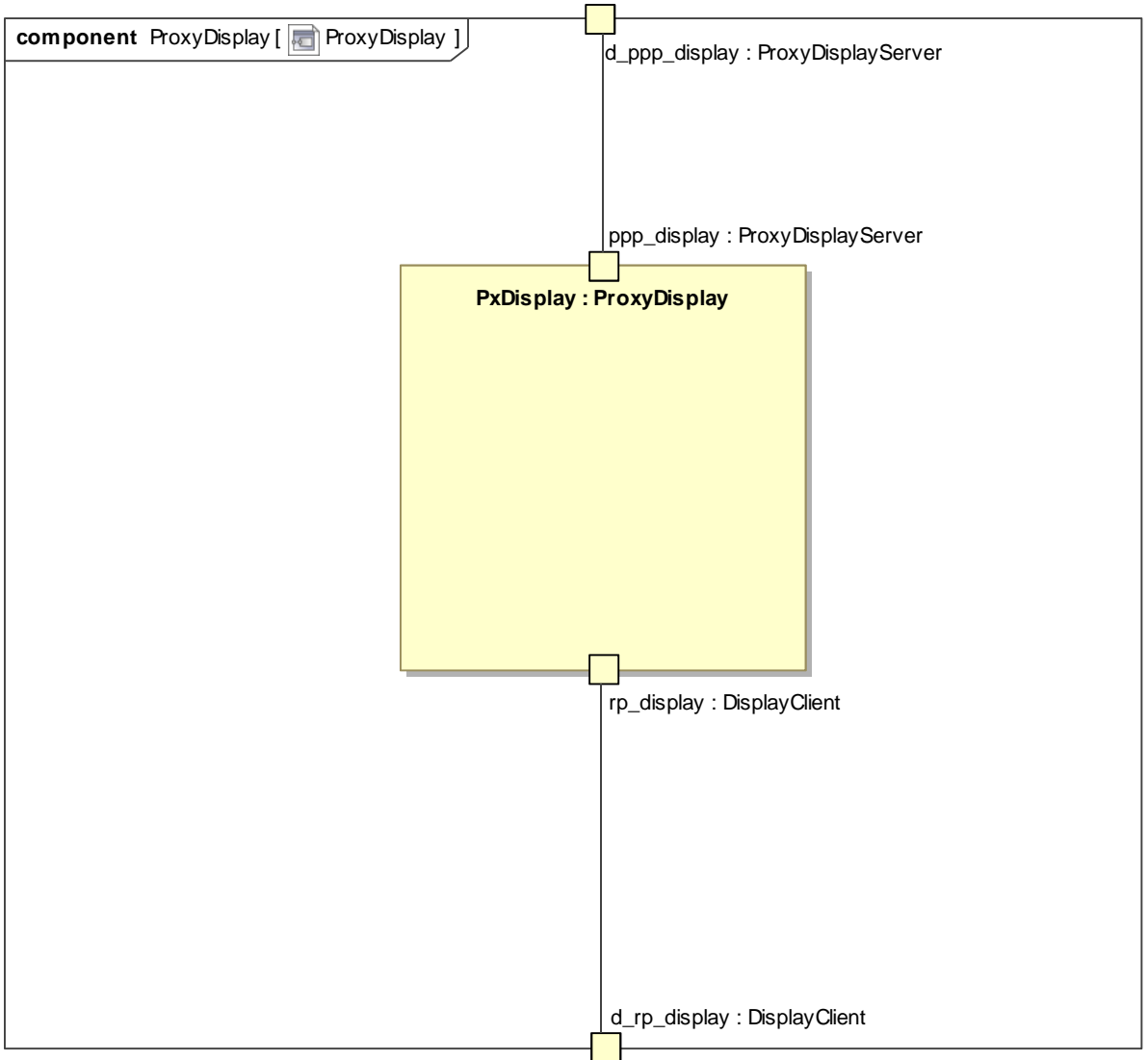


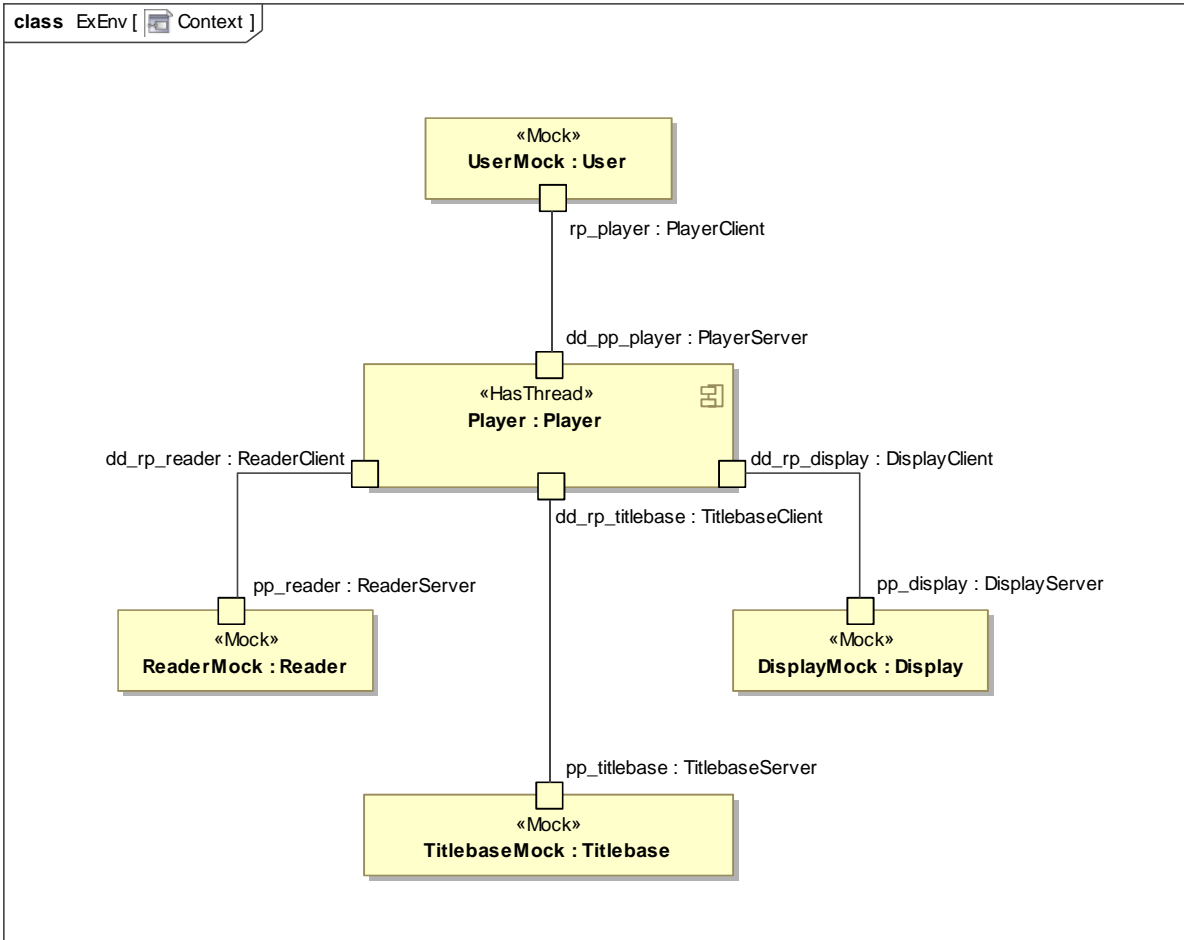


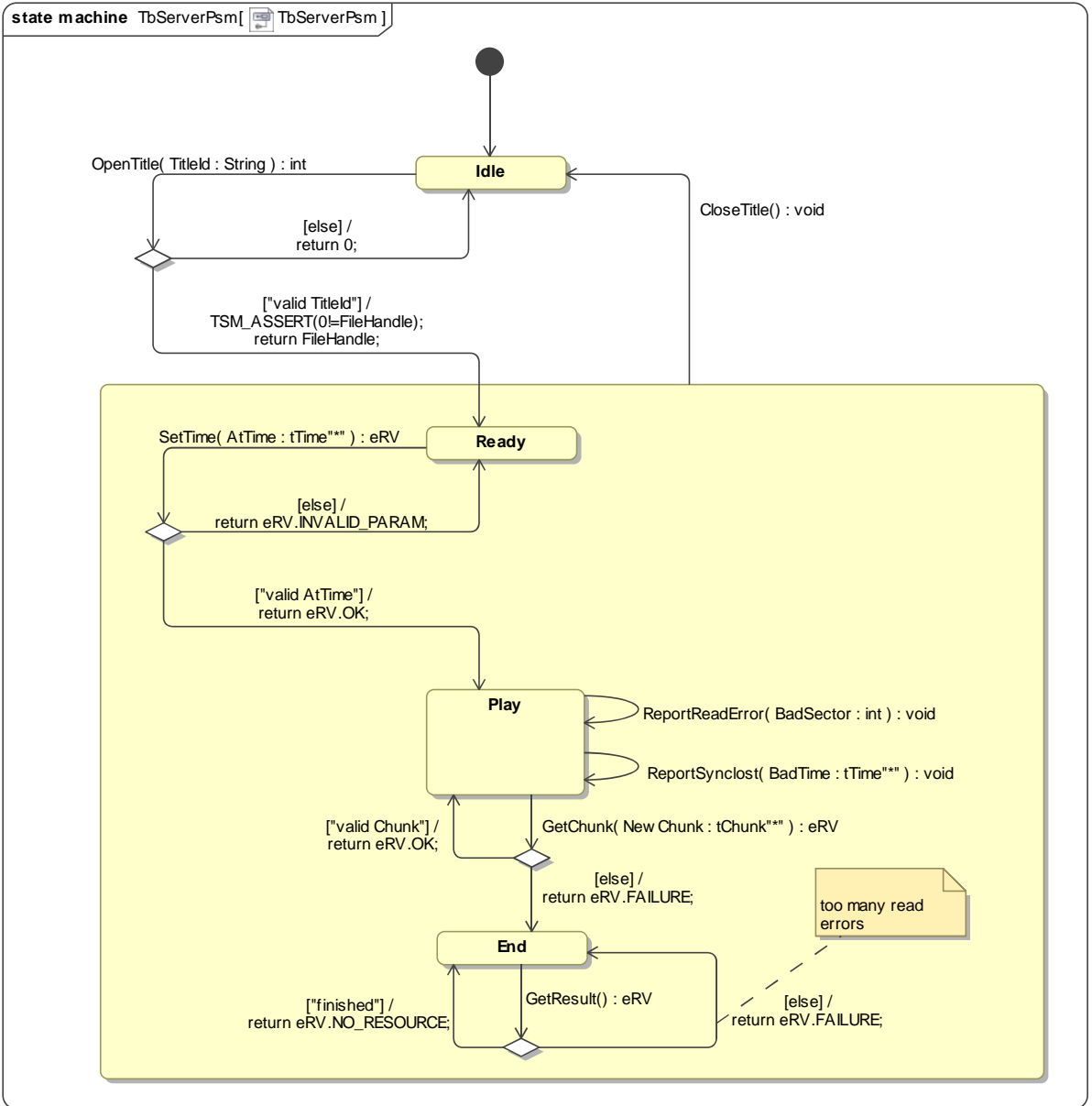


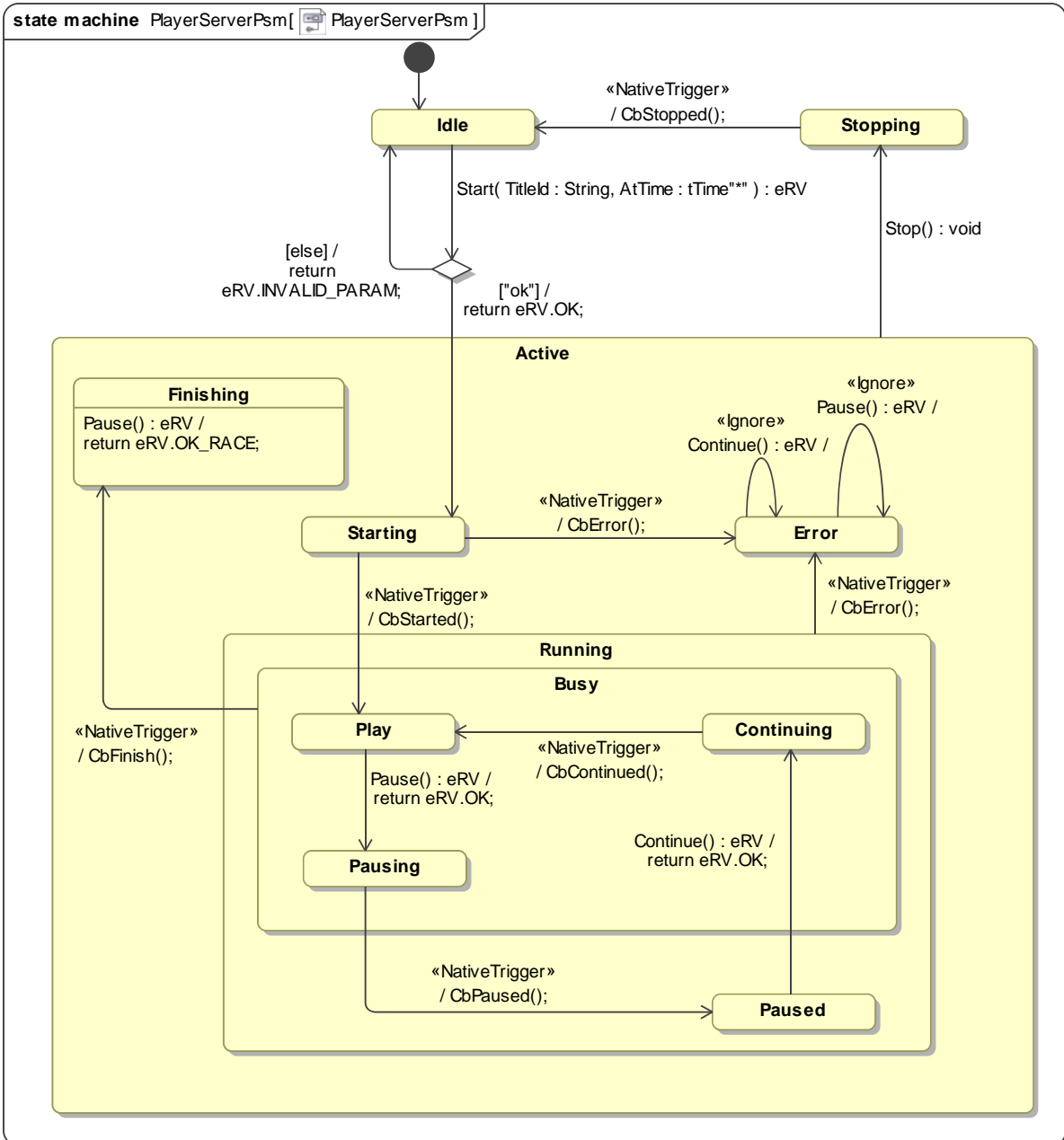


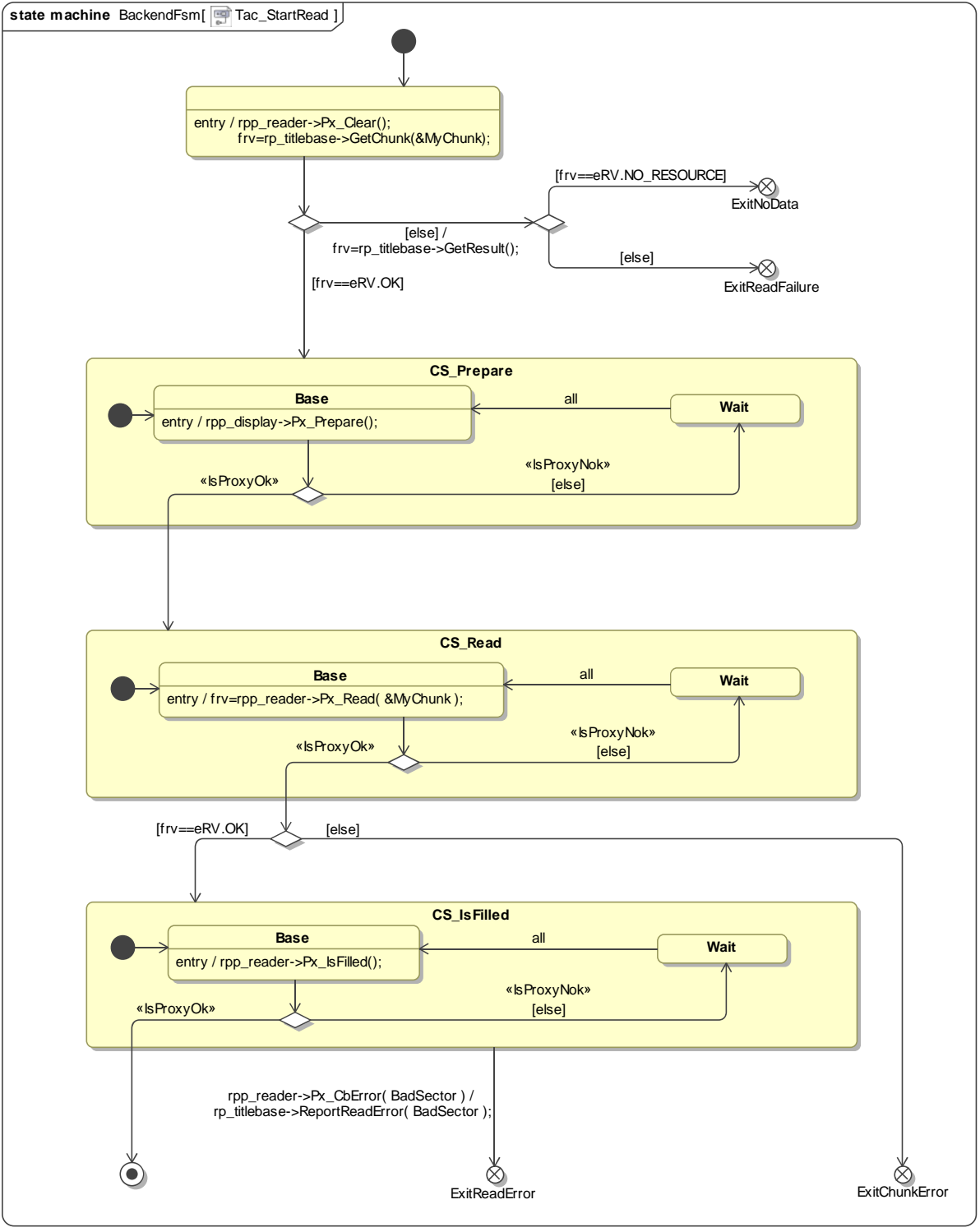


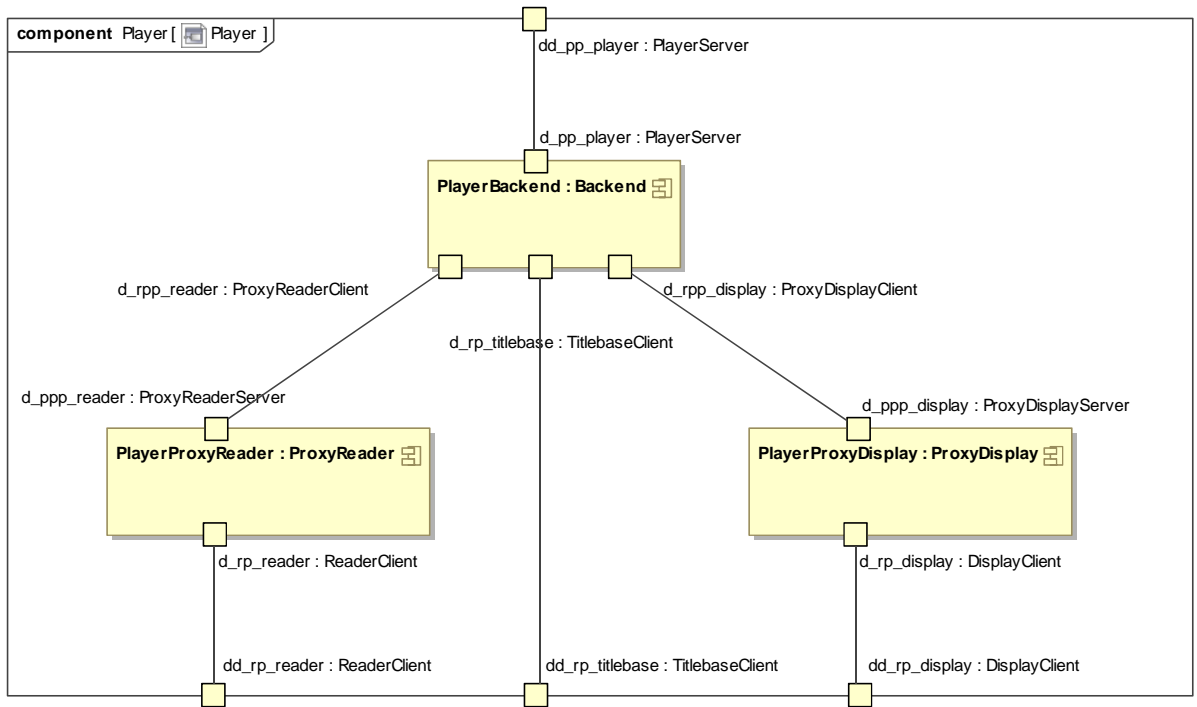


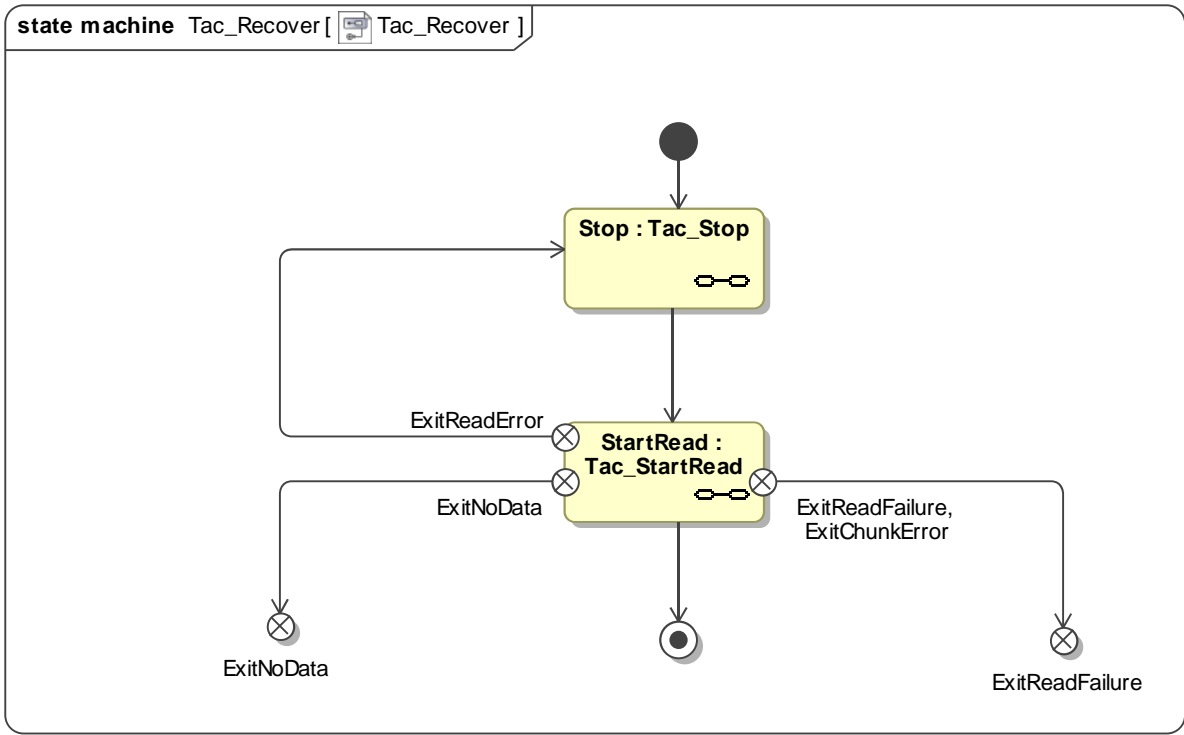


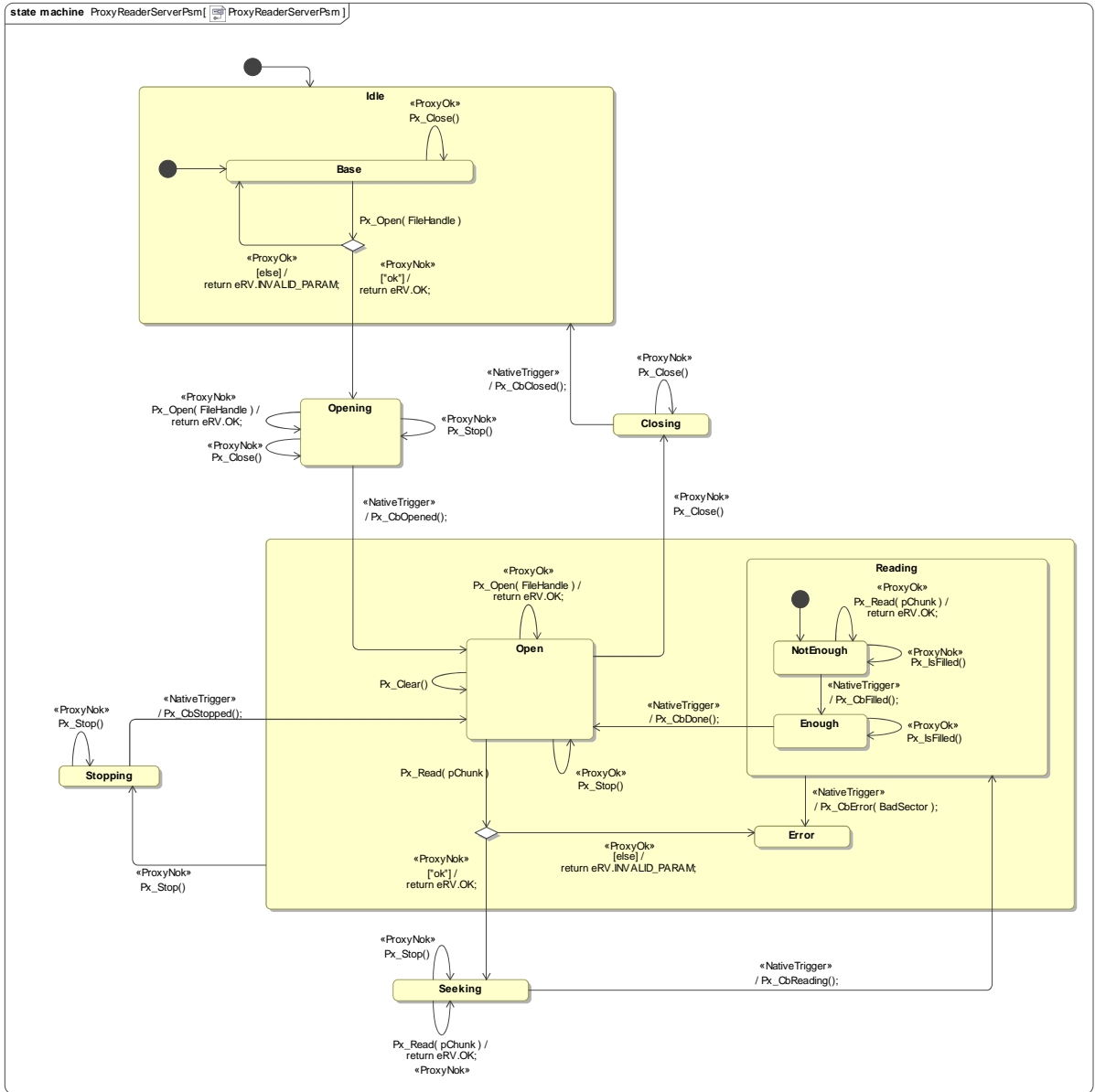




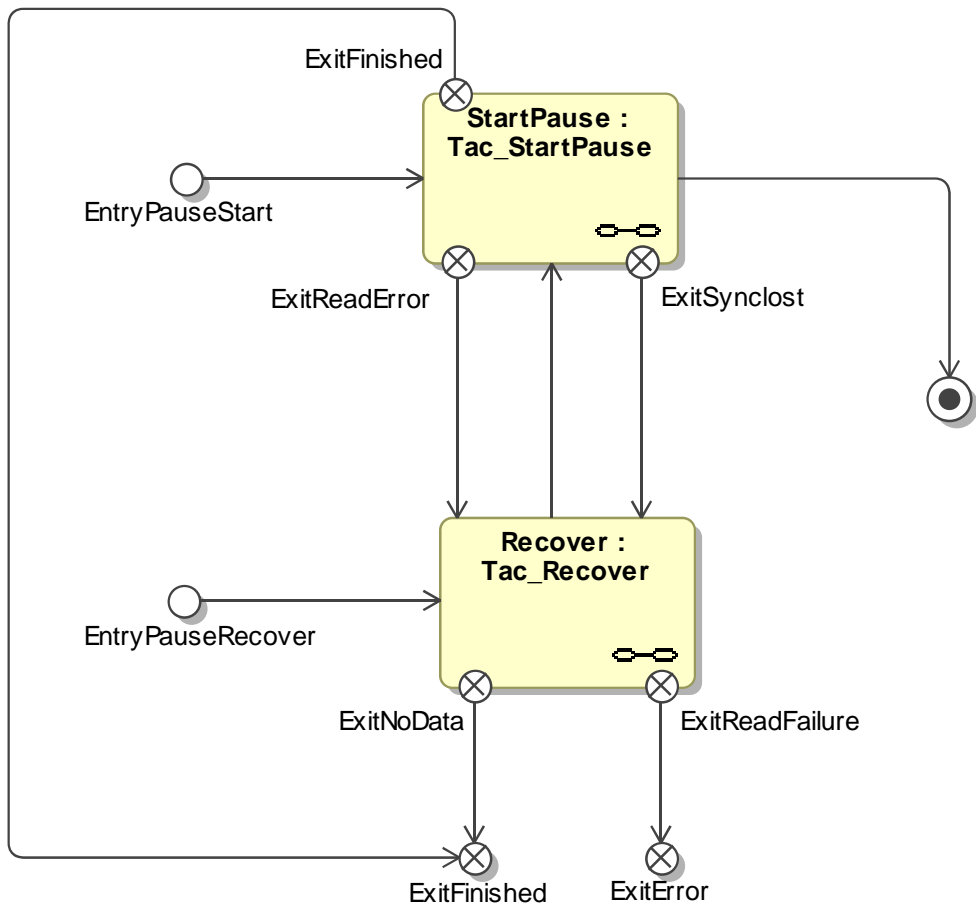


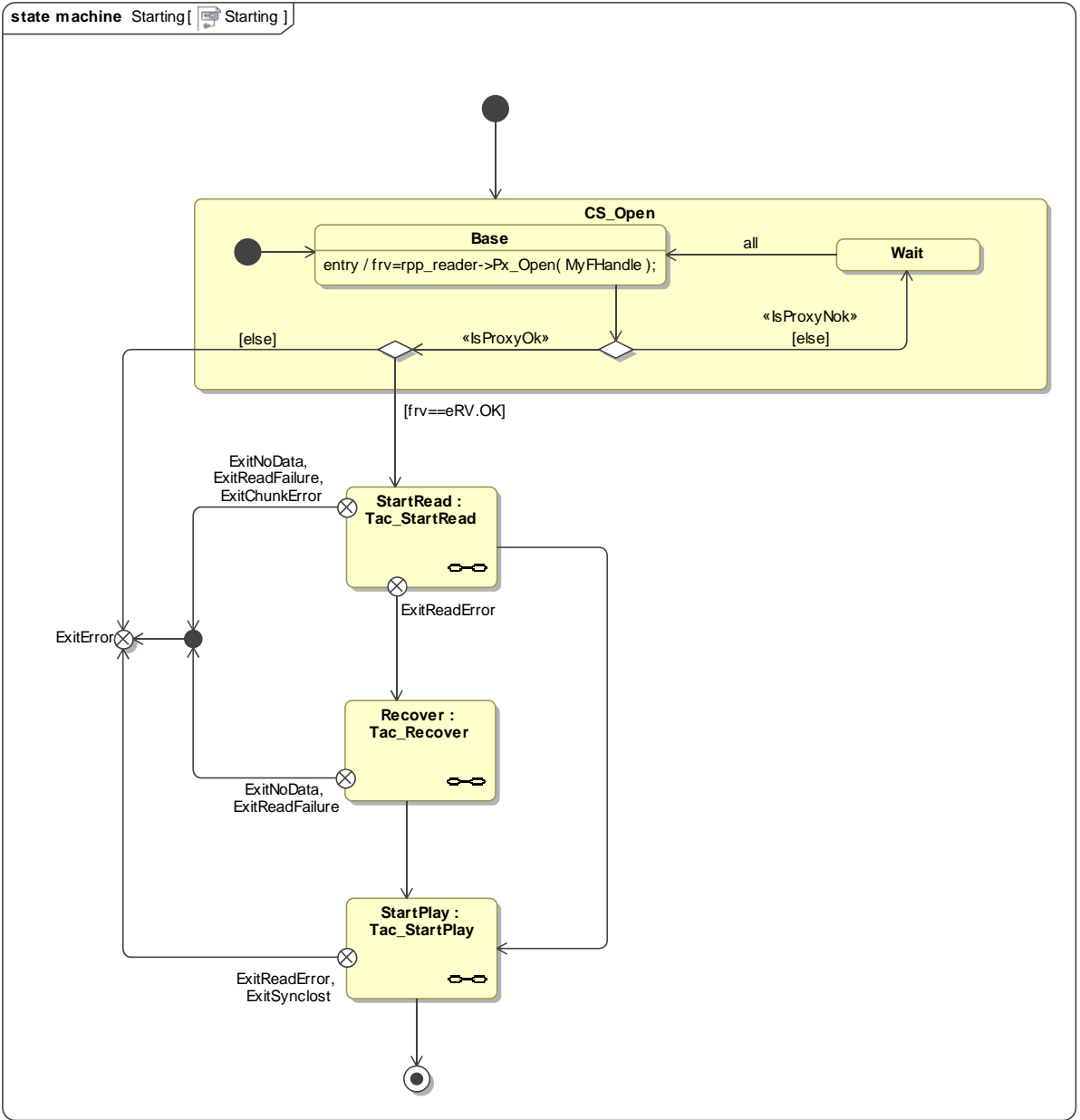


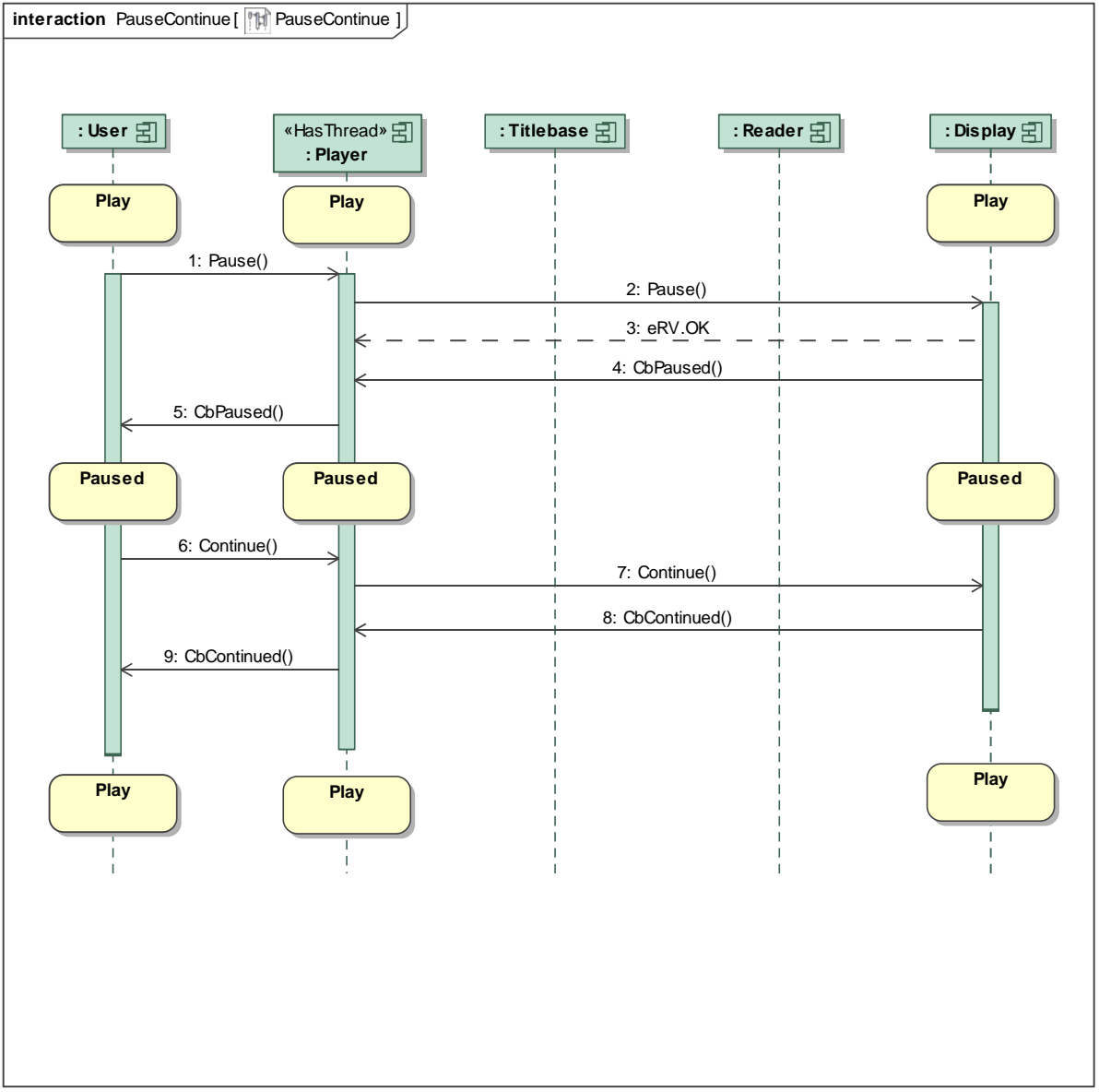


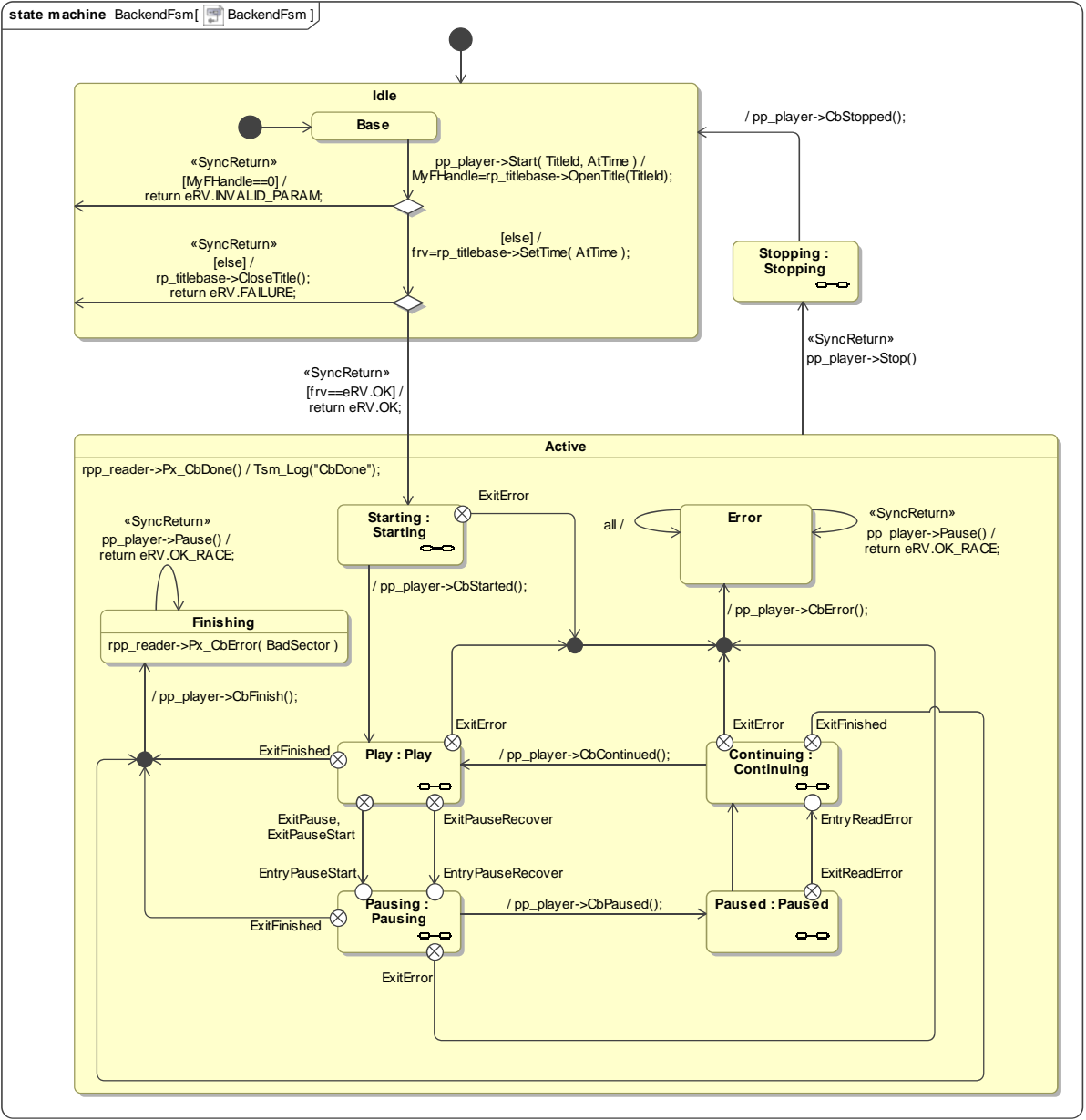


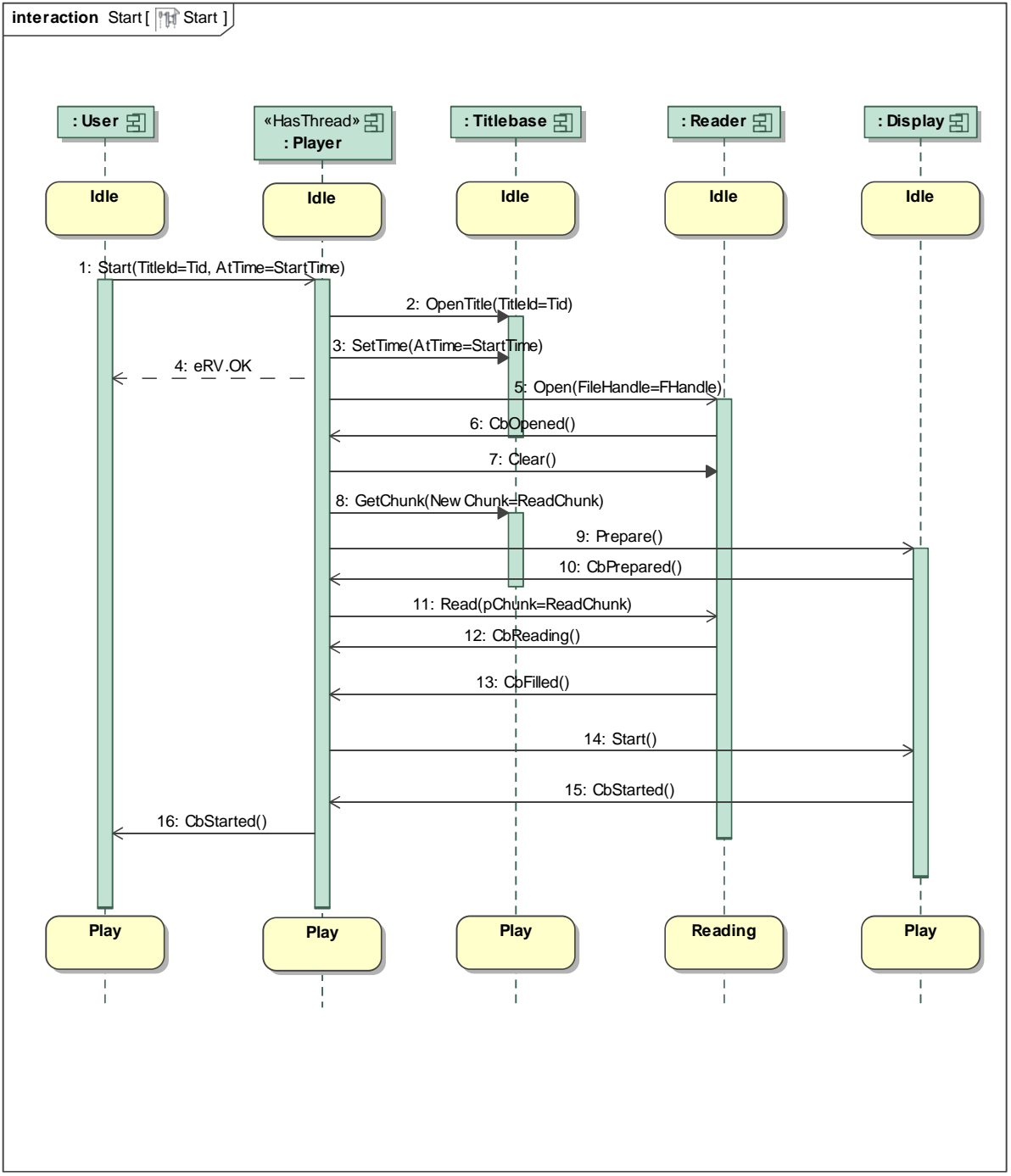
state machine Pausing [Pausing]

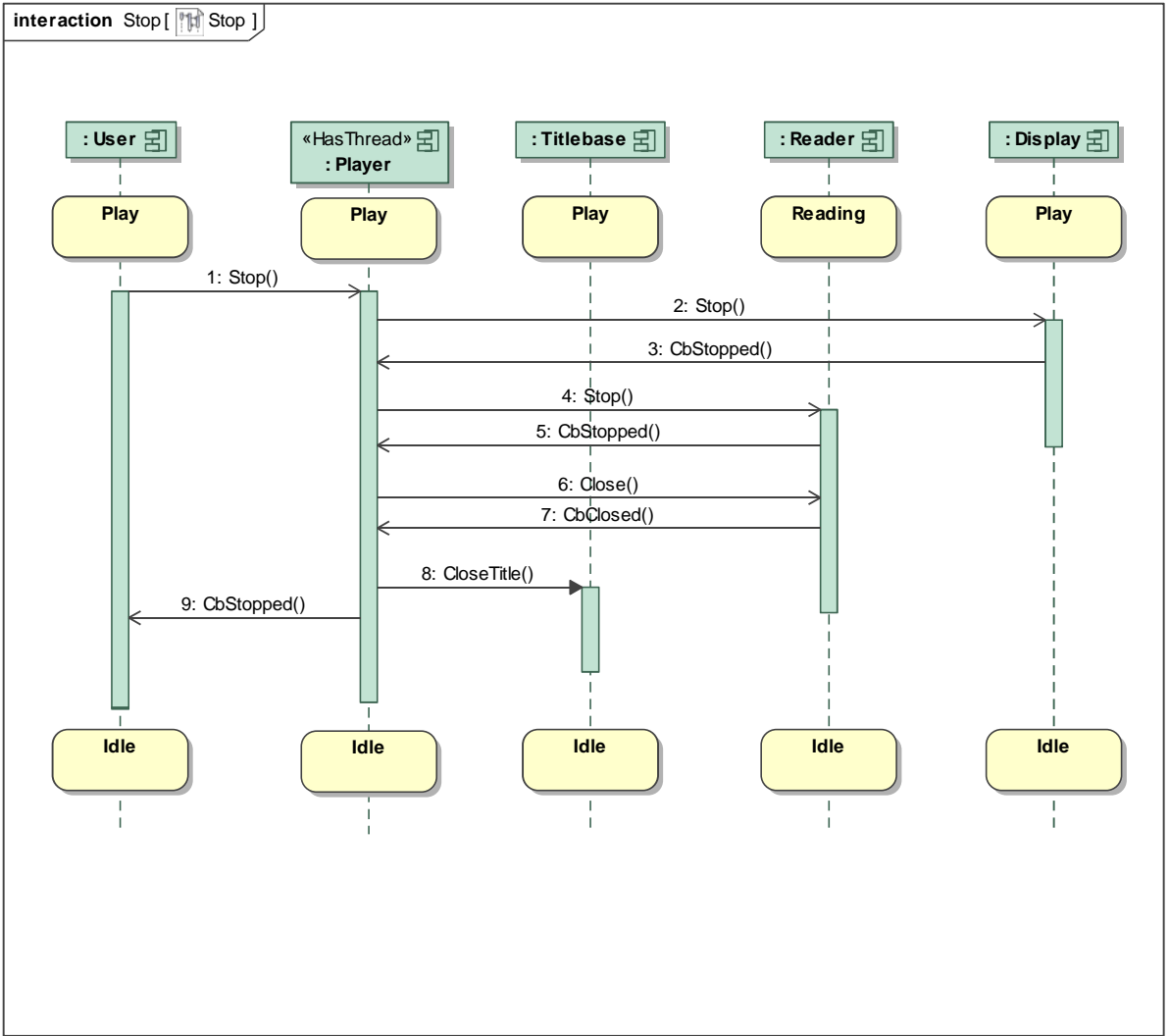


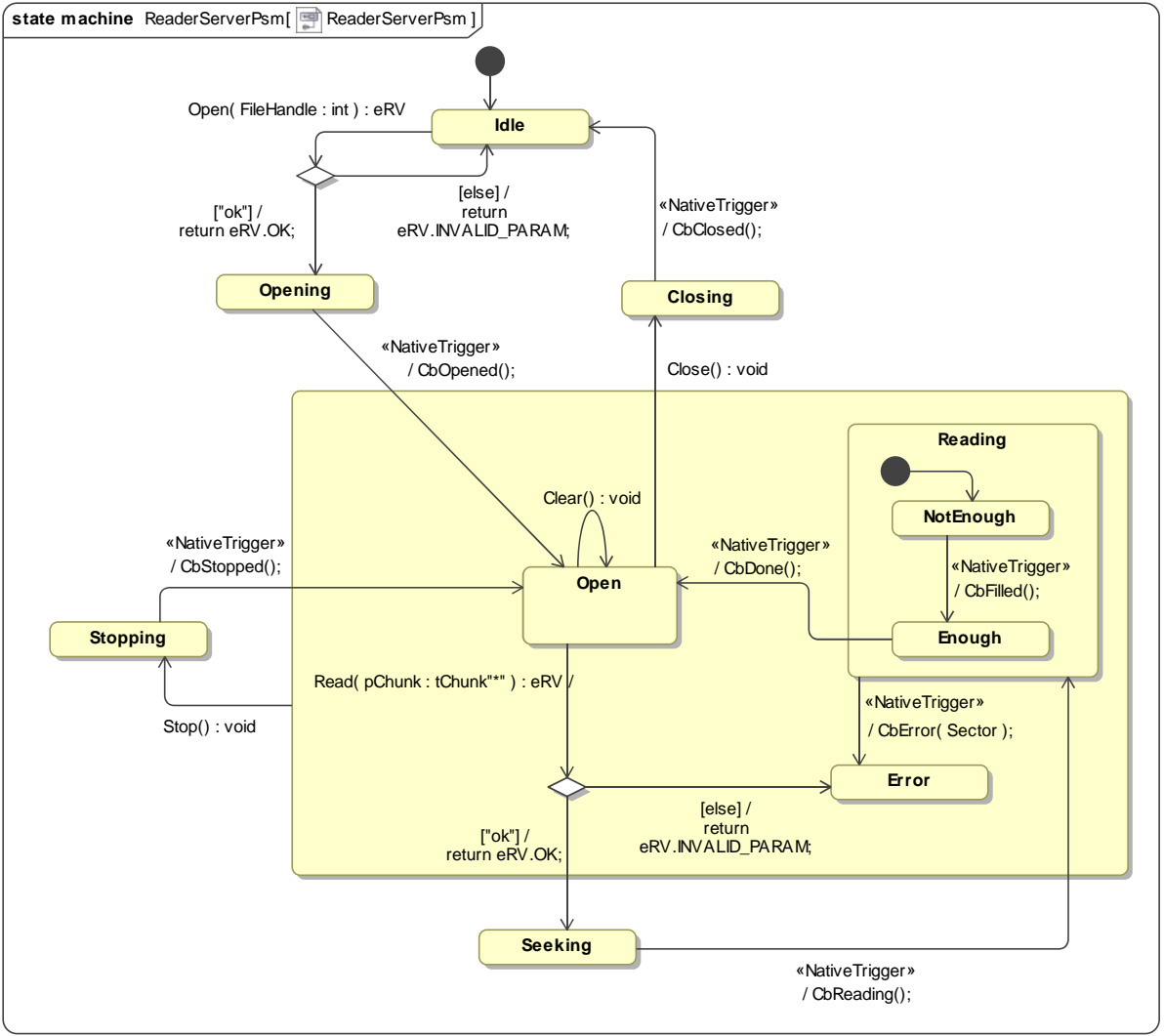


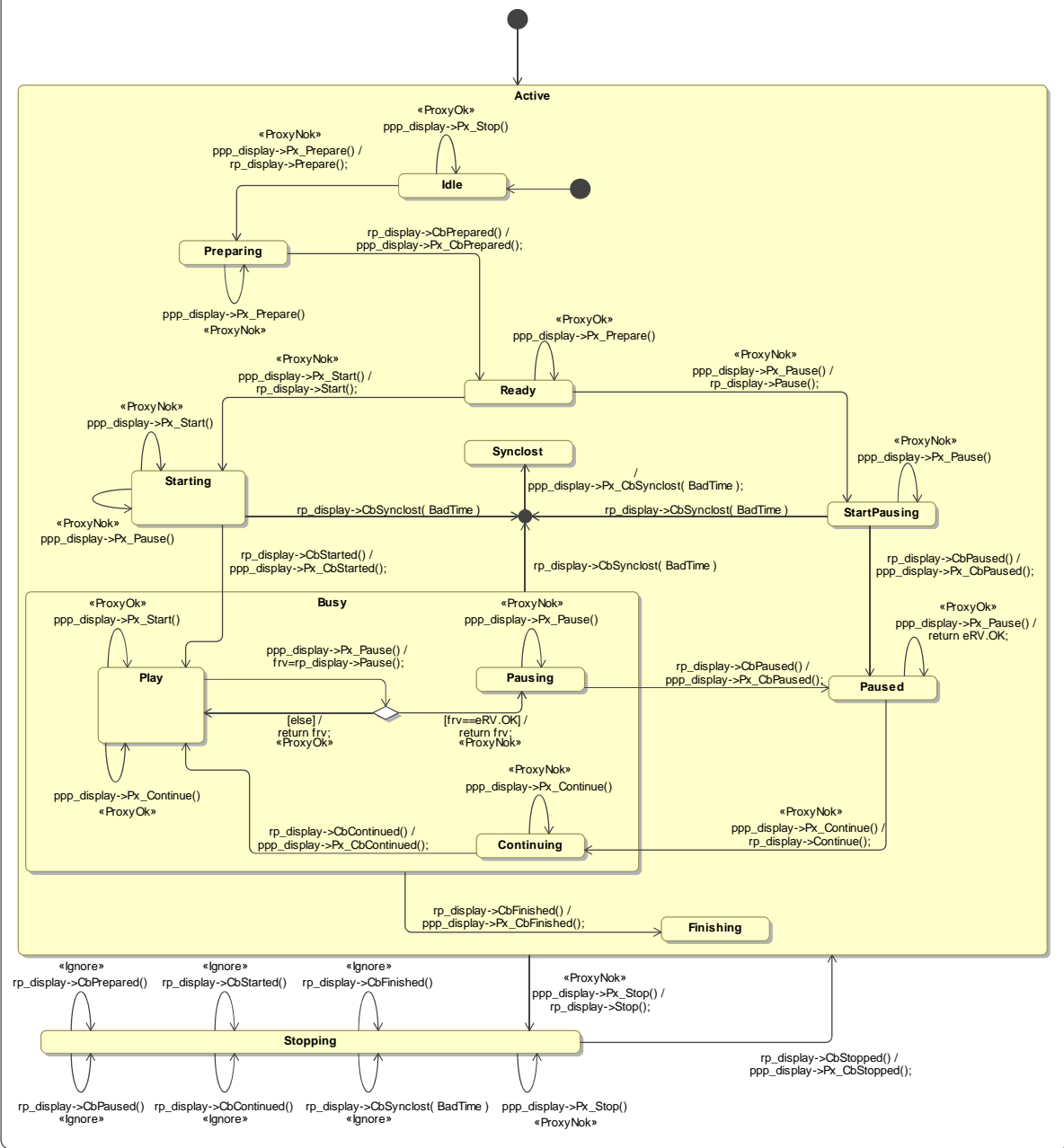


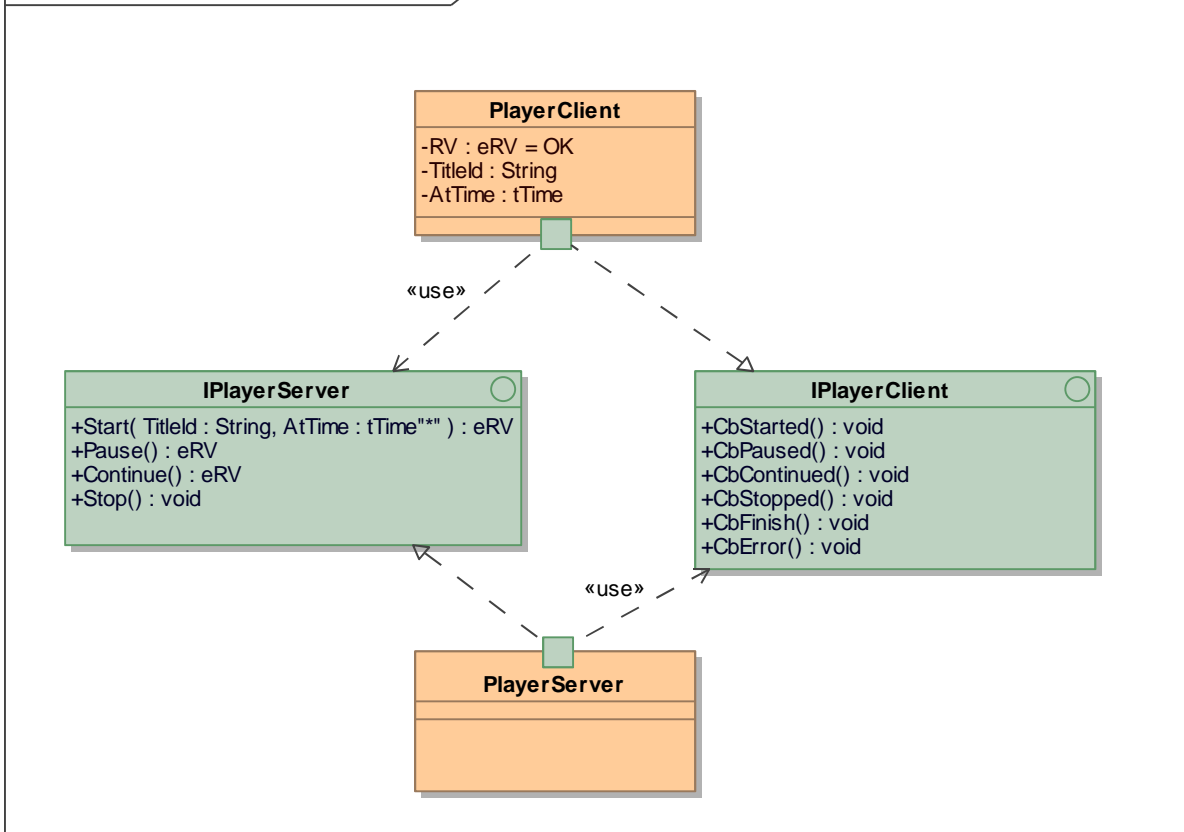


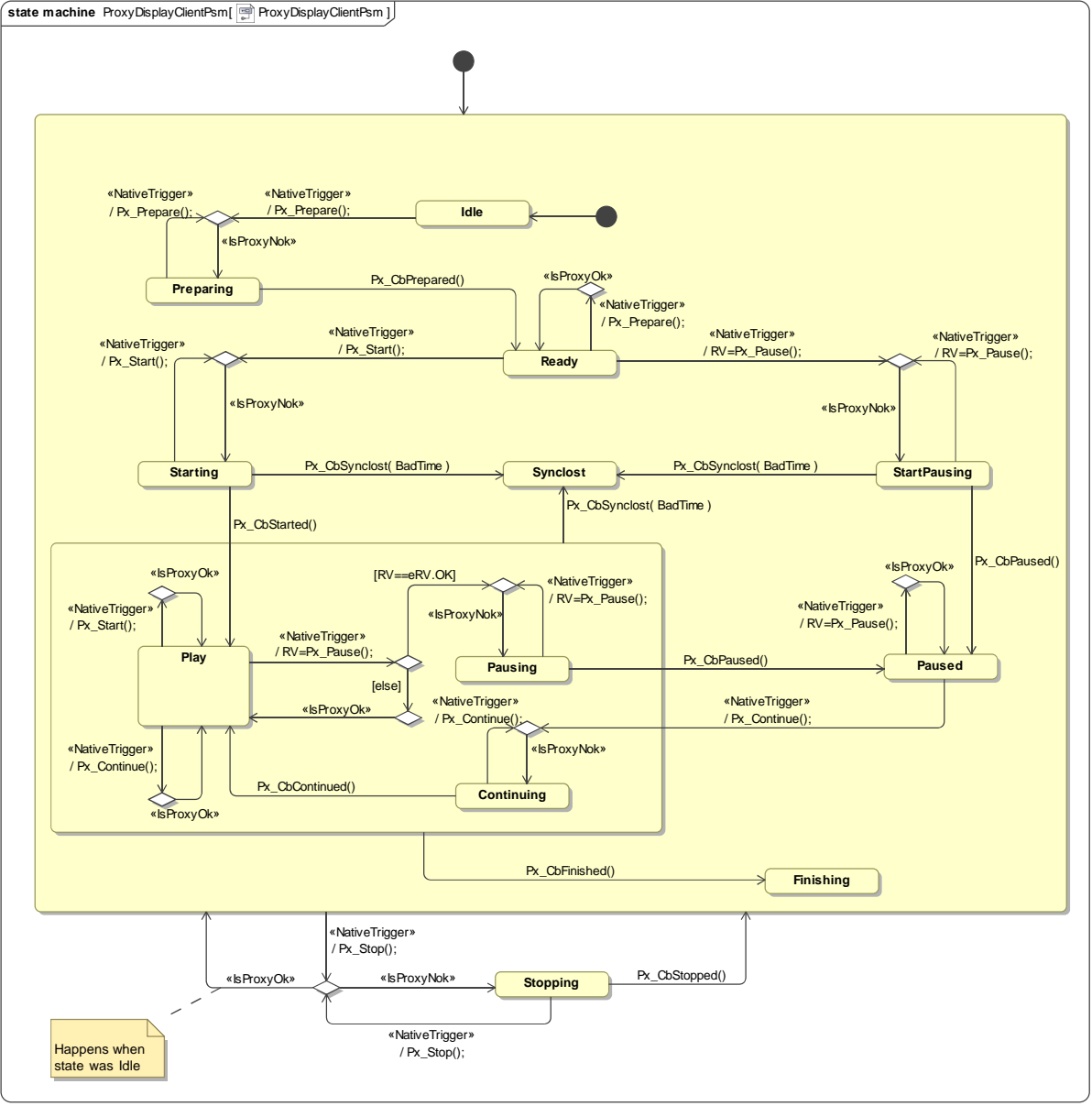


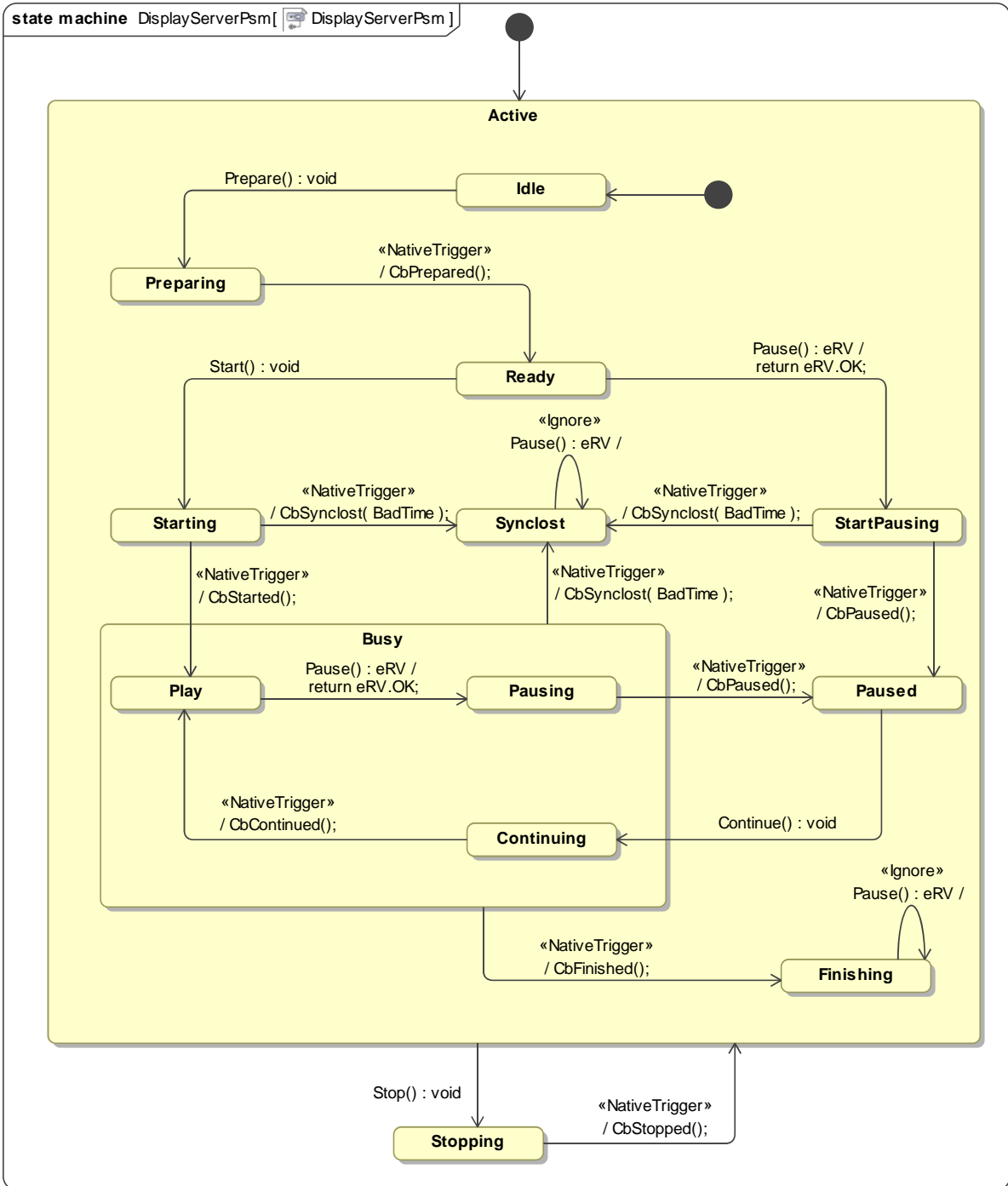




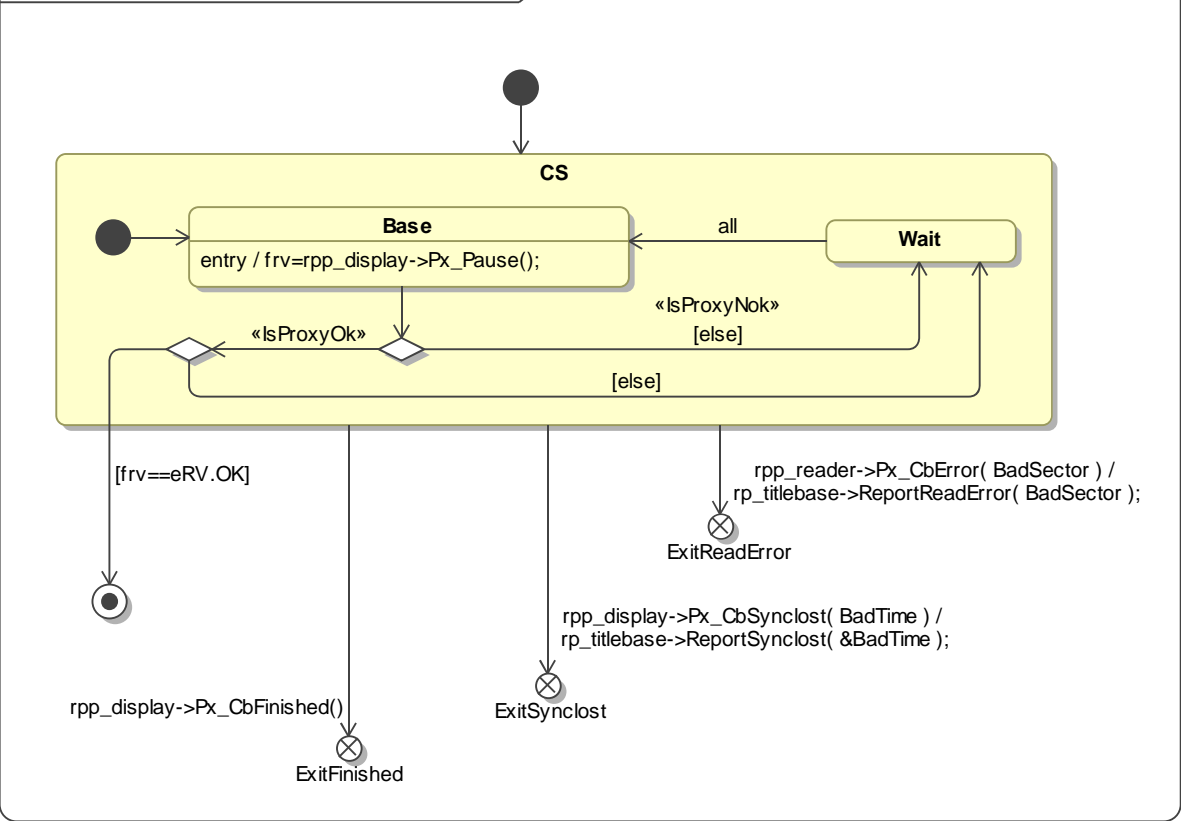


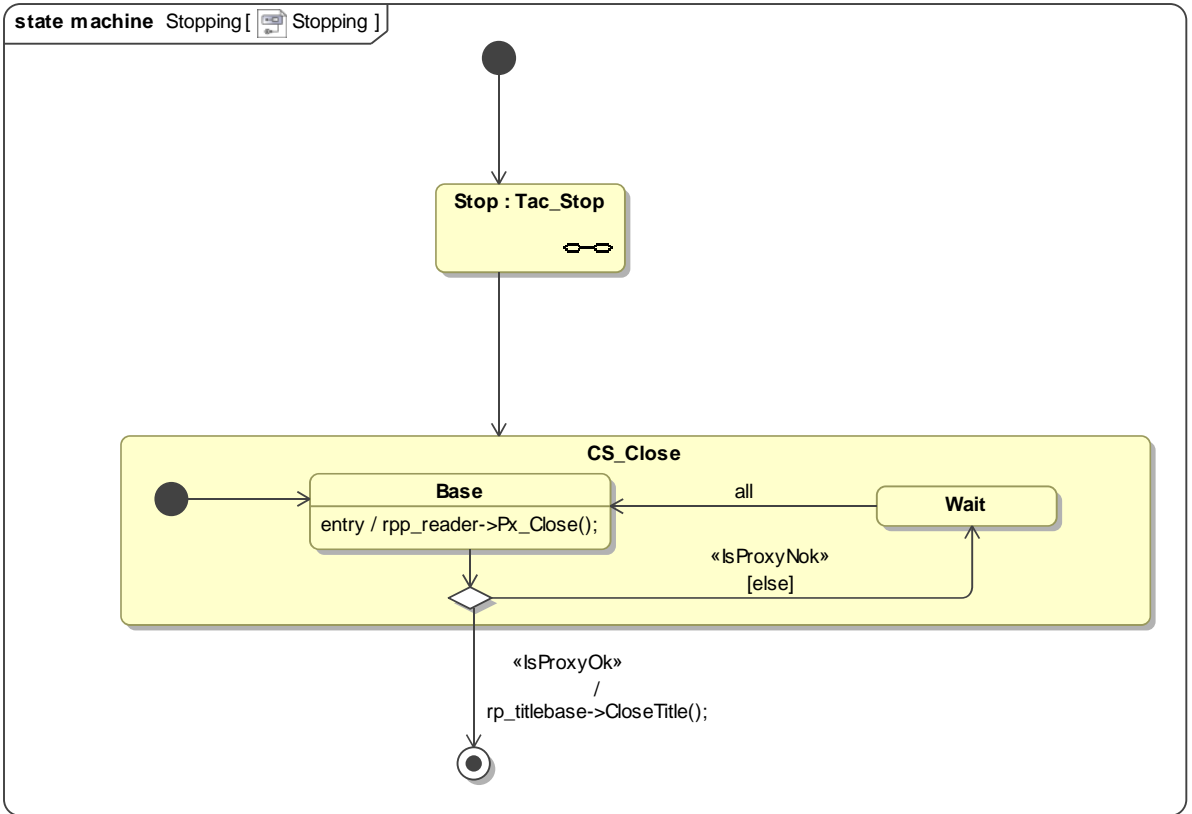


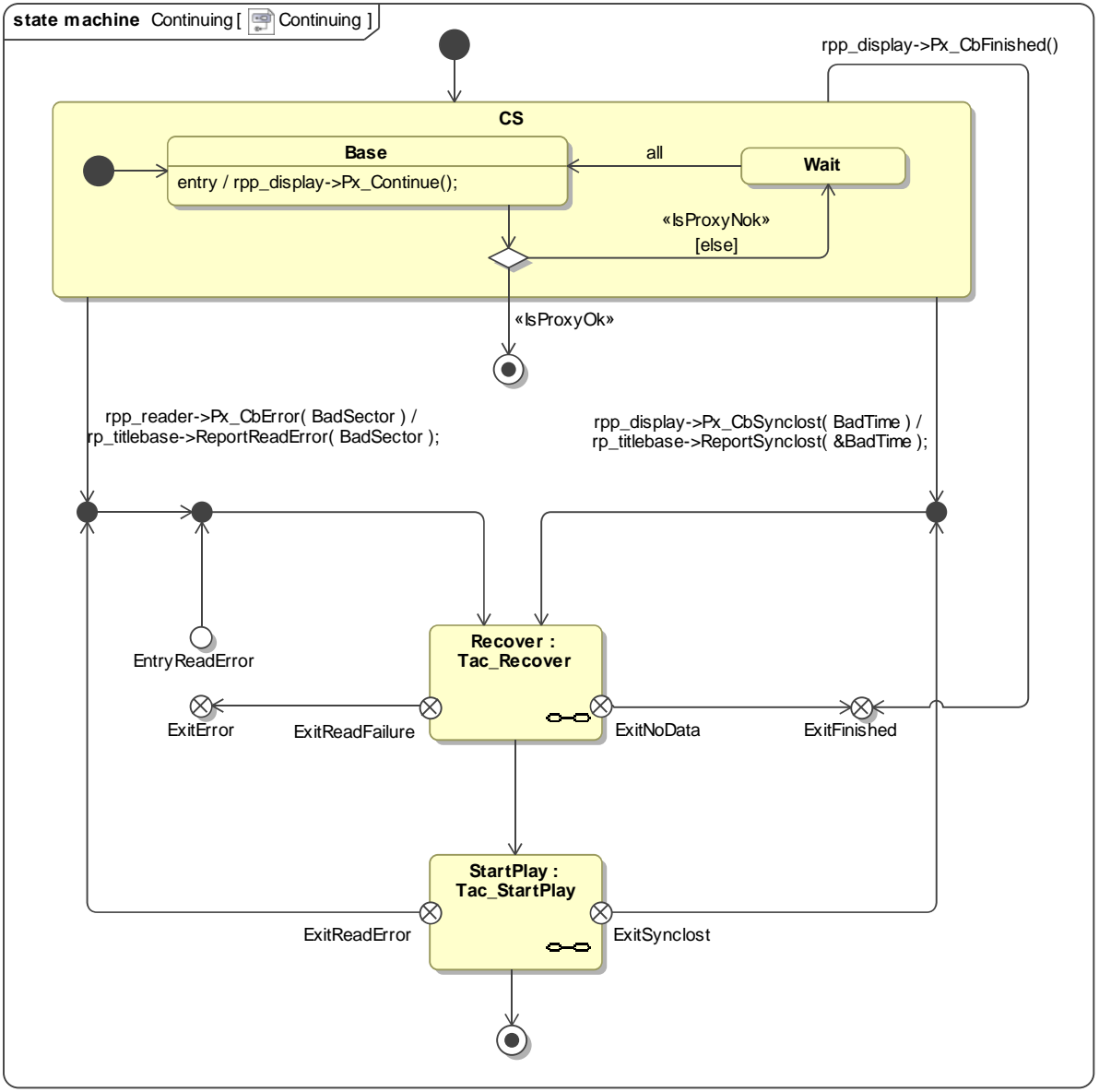


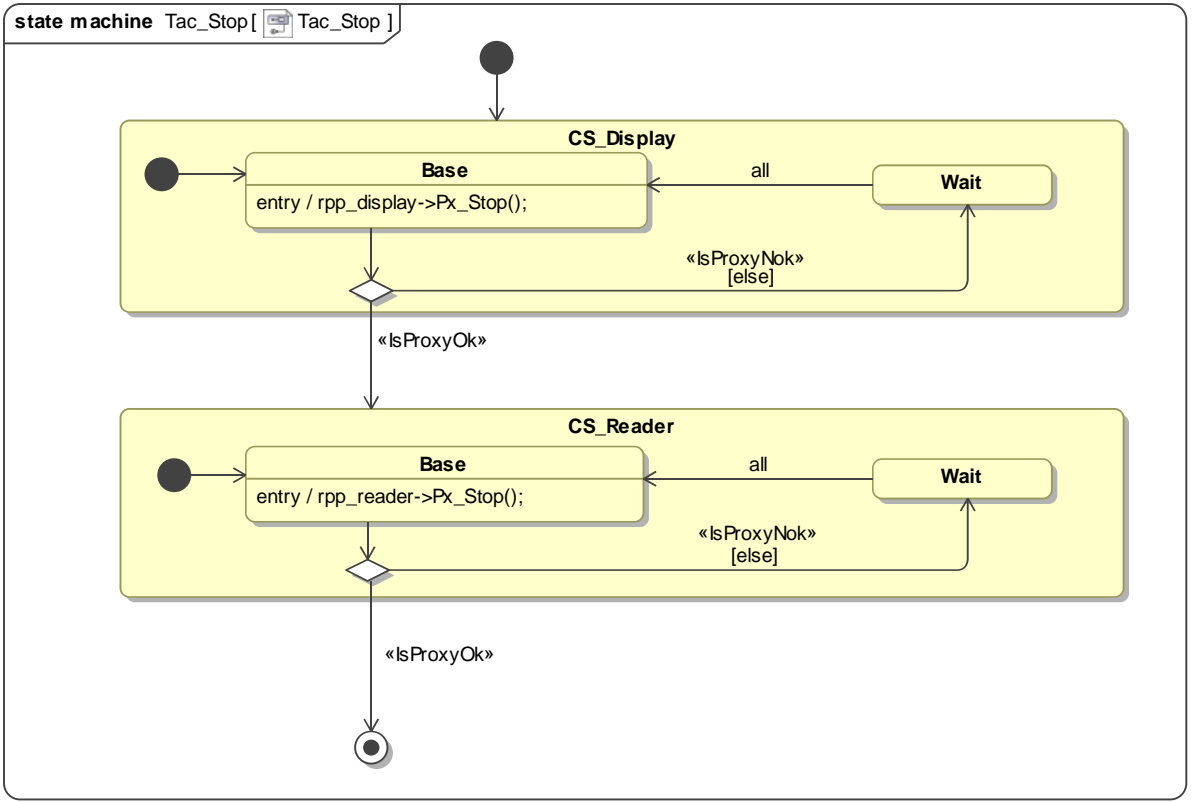


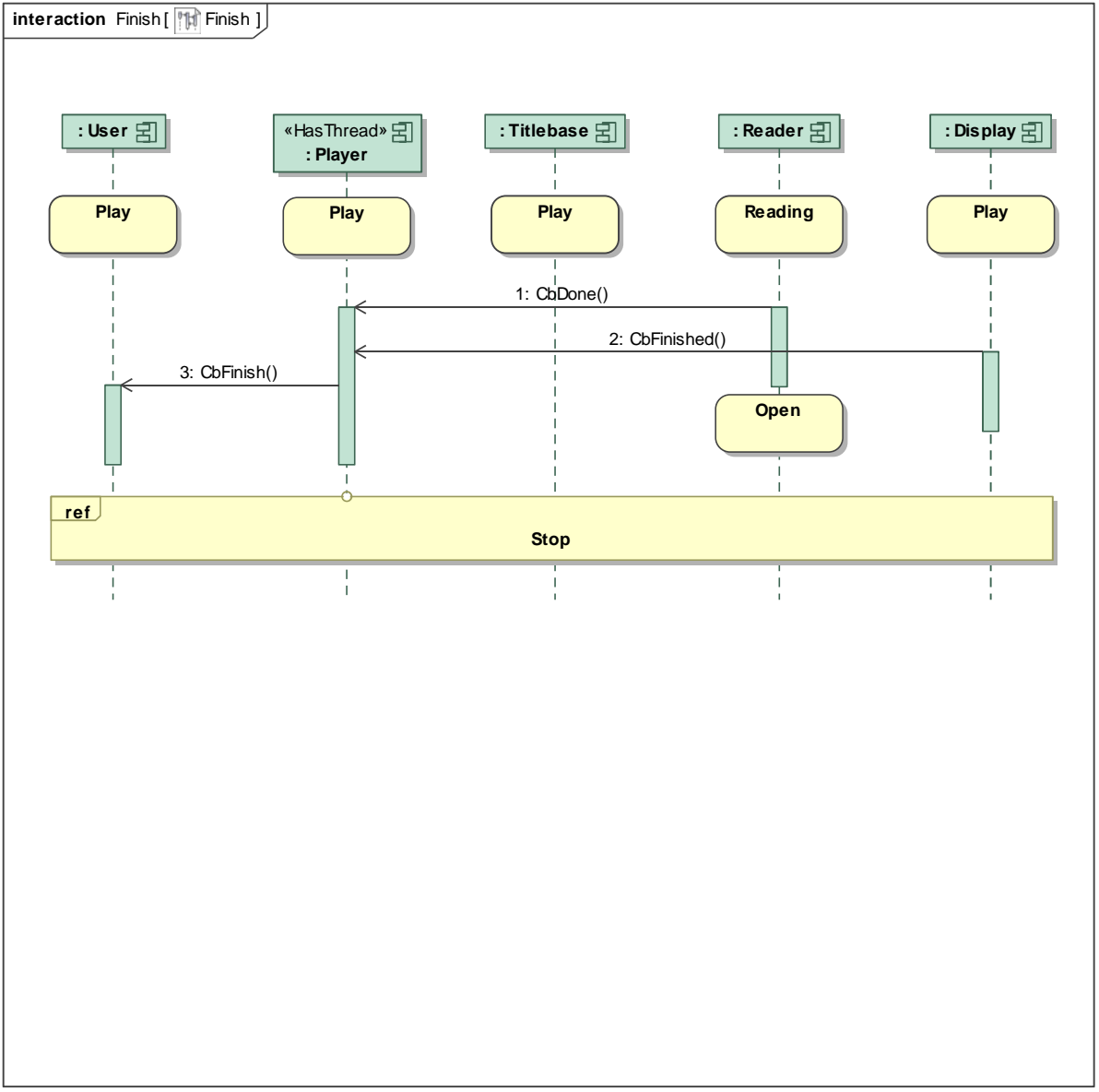
state machine Tac_StartPause [Tac_StartPause]

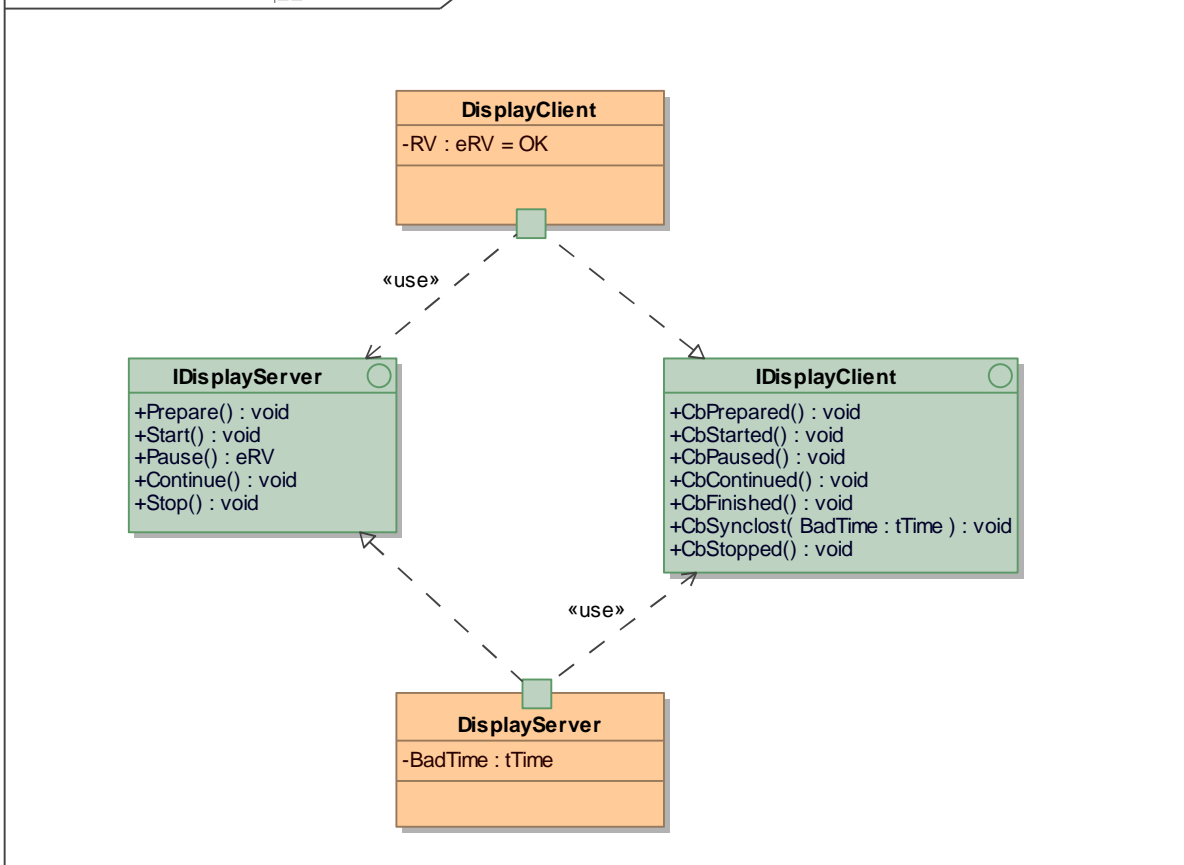












state machine Paused [Paused]

